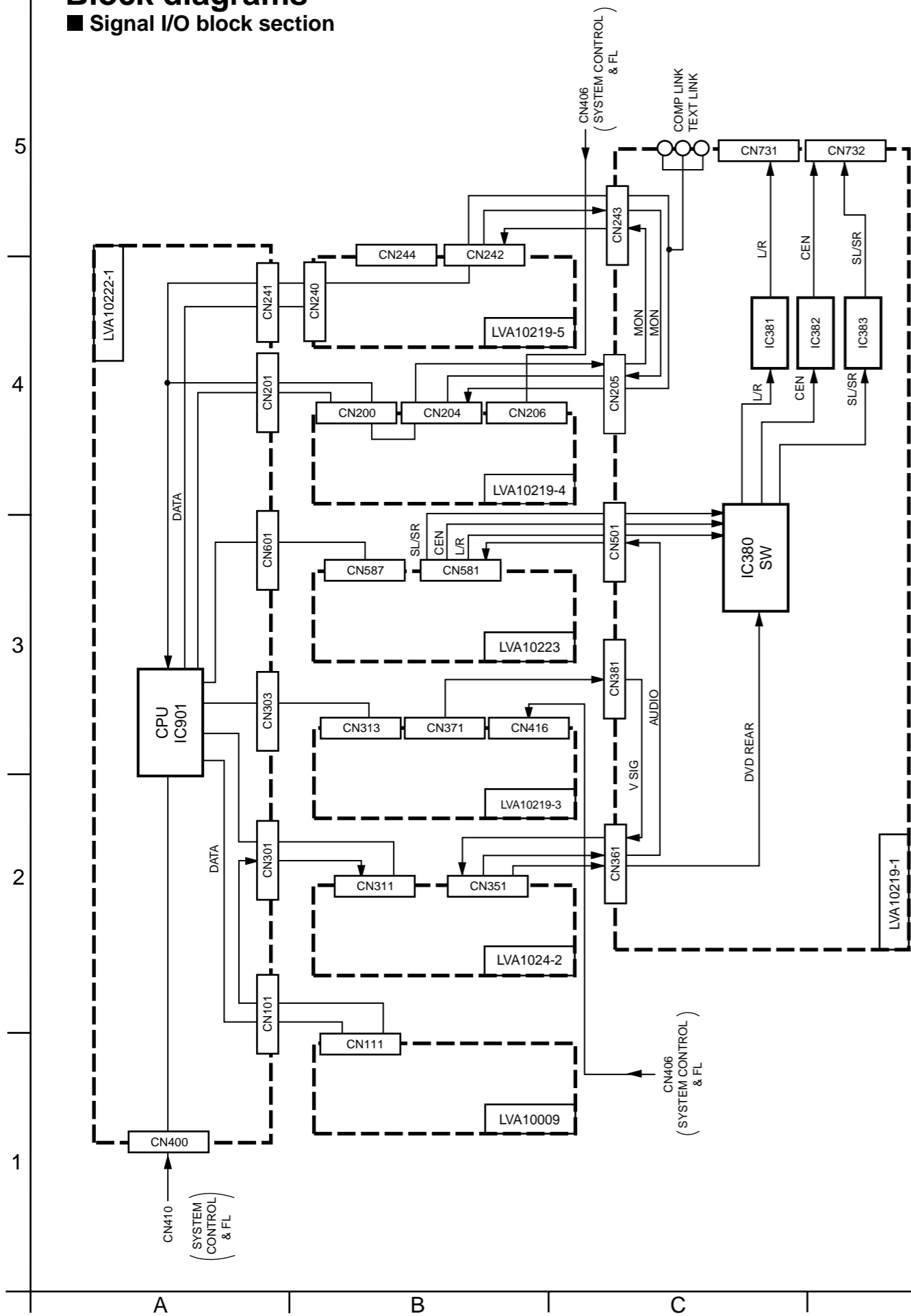
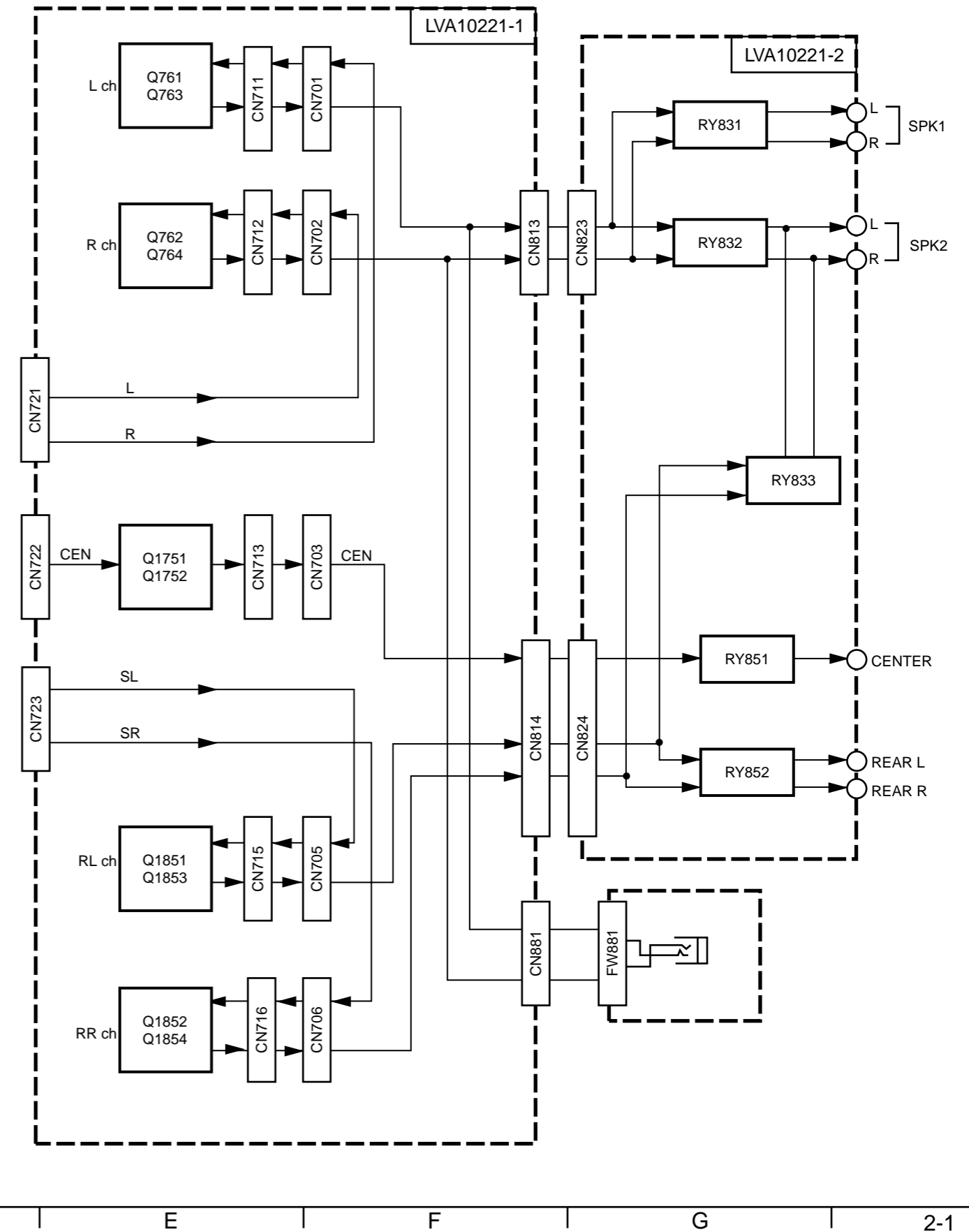


Block diagrams

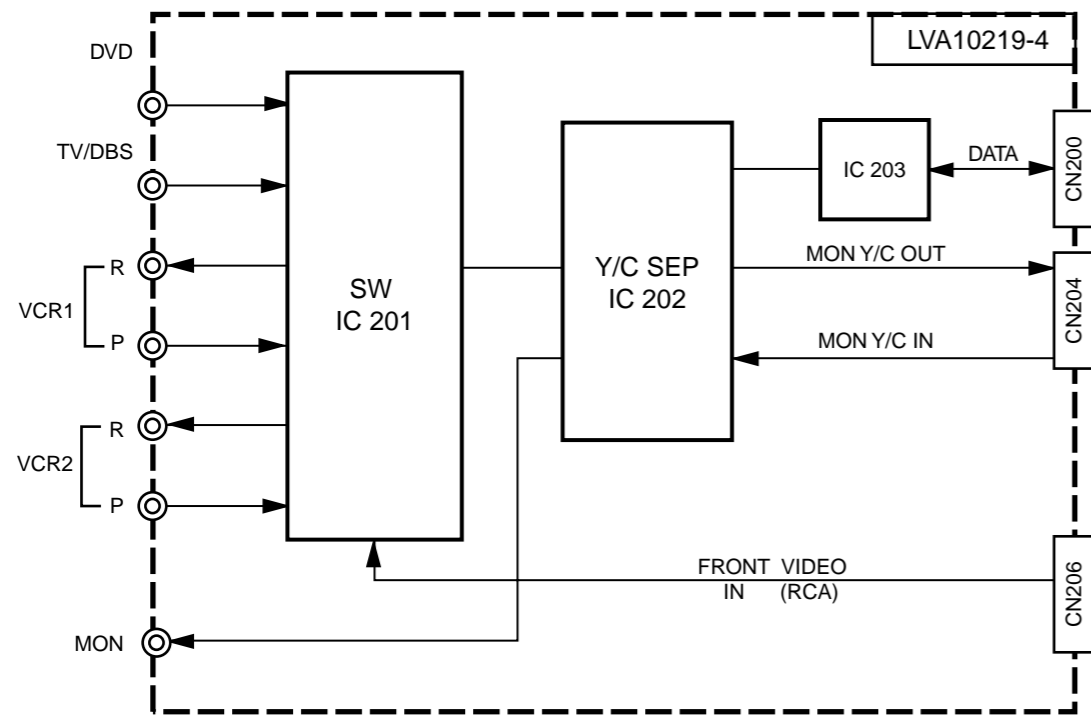
■ Signal I/O block section



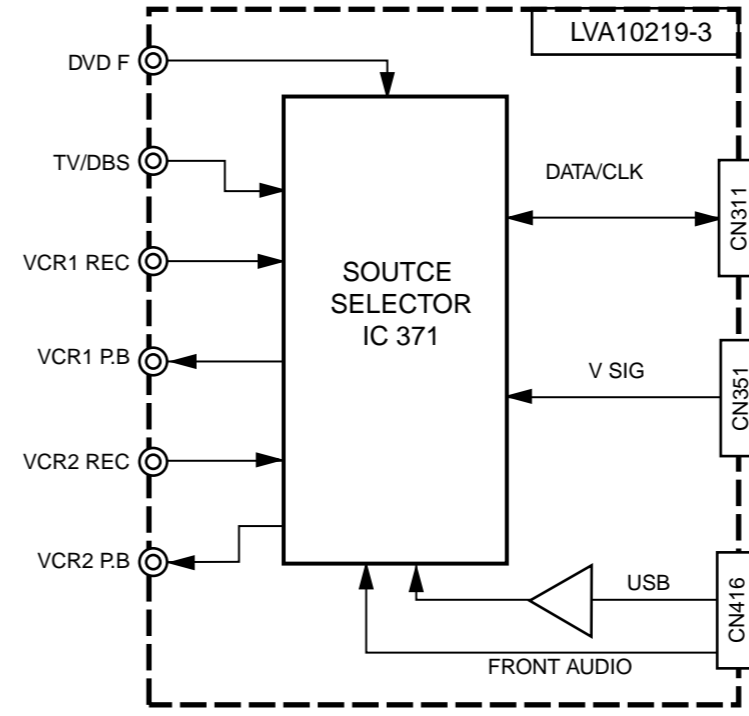
■ Main section



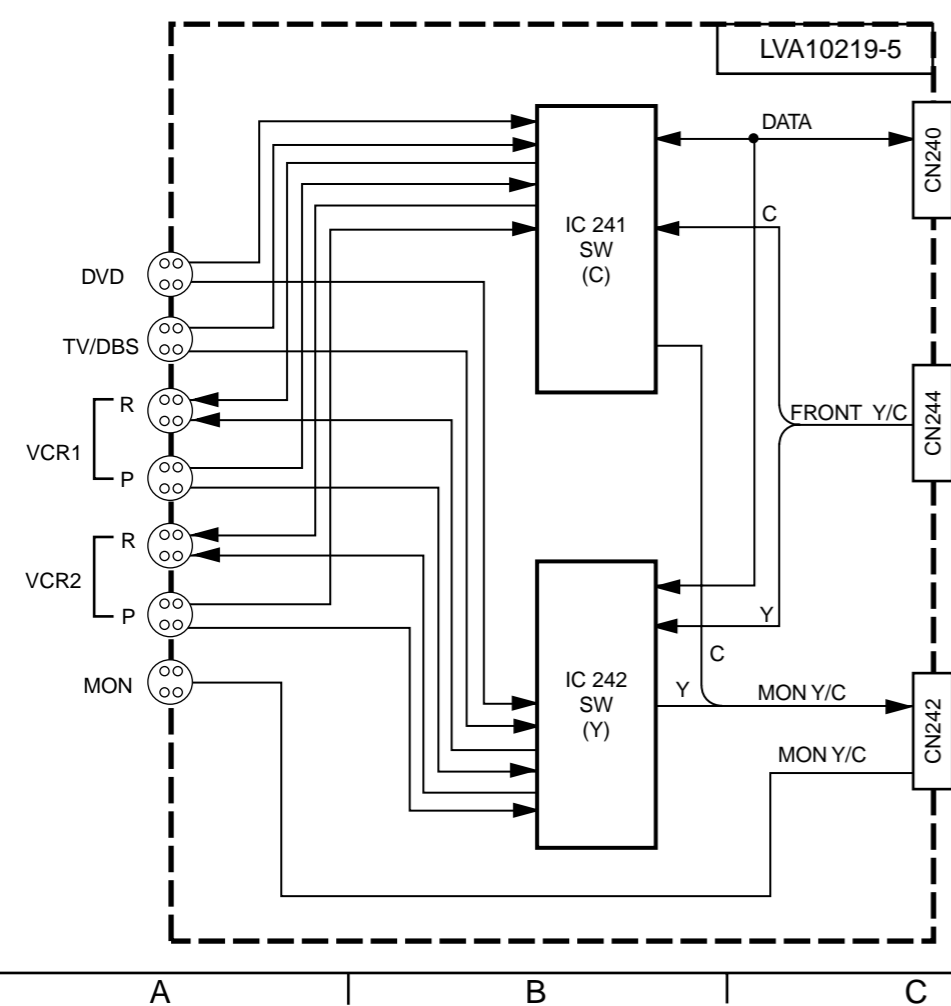
■ Video section



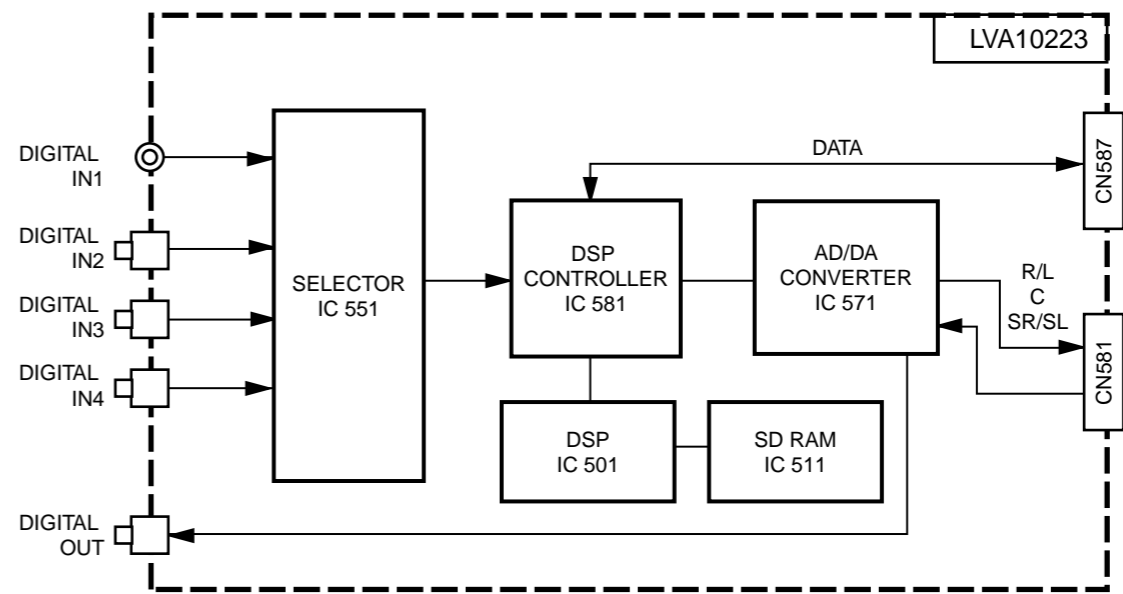
■ Video input section



■ S Video section



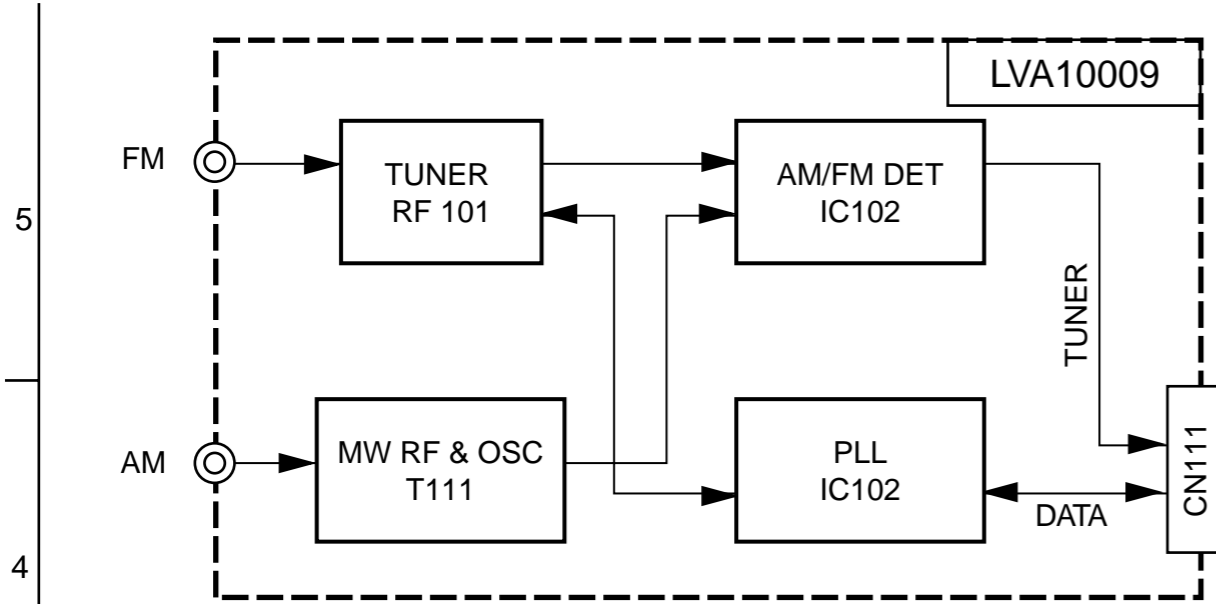
■ DSP section



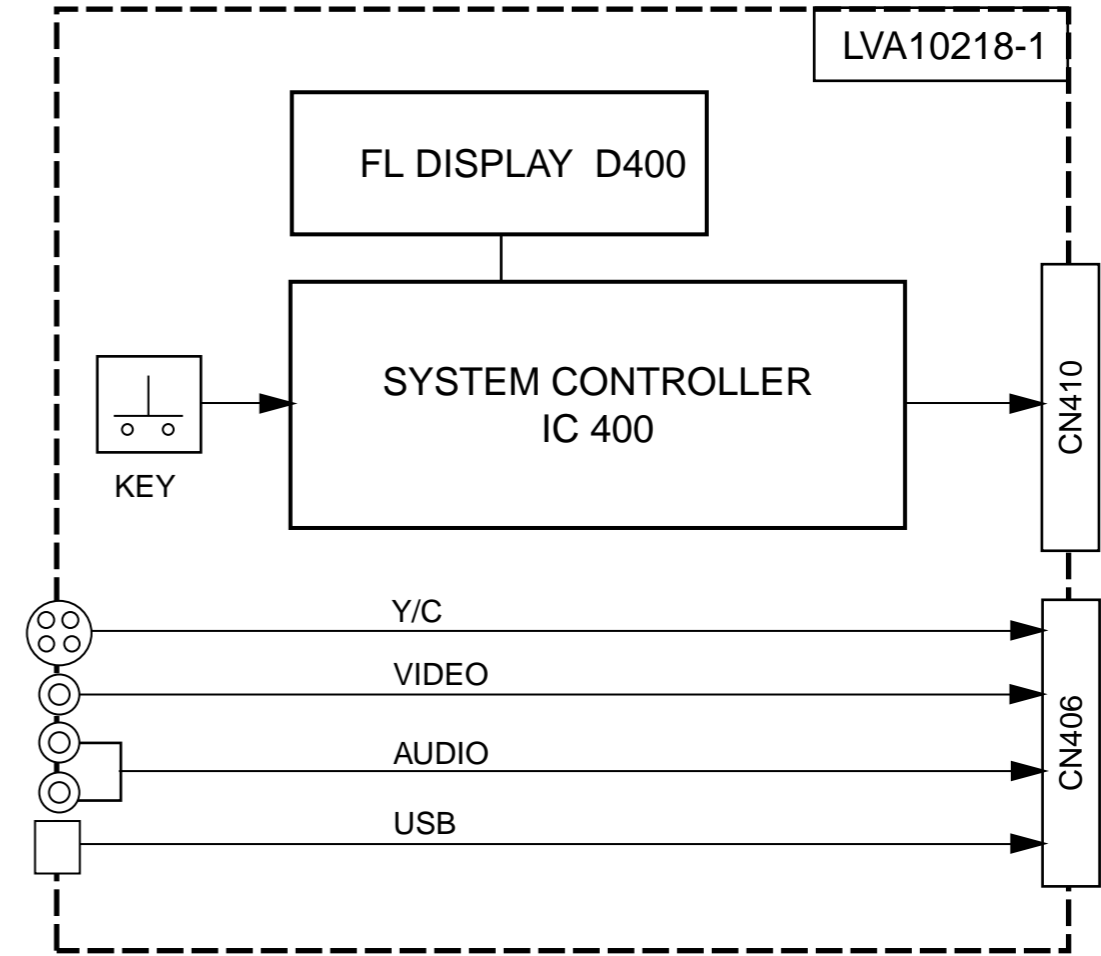
5
4
3
2
1

A B C 2-2 D E F G H

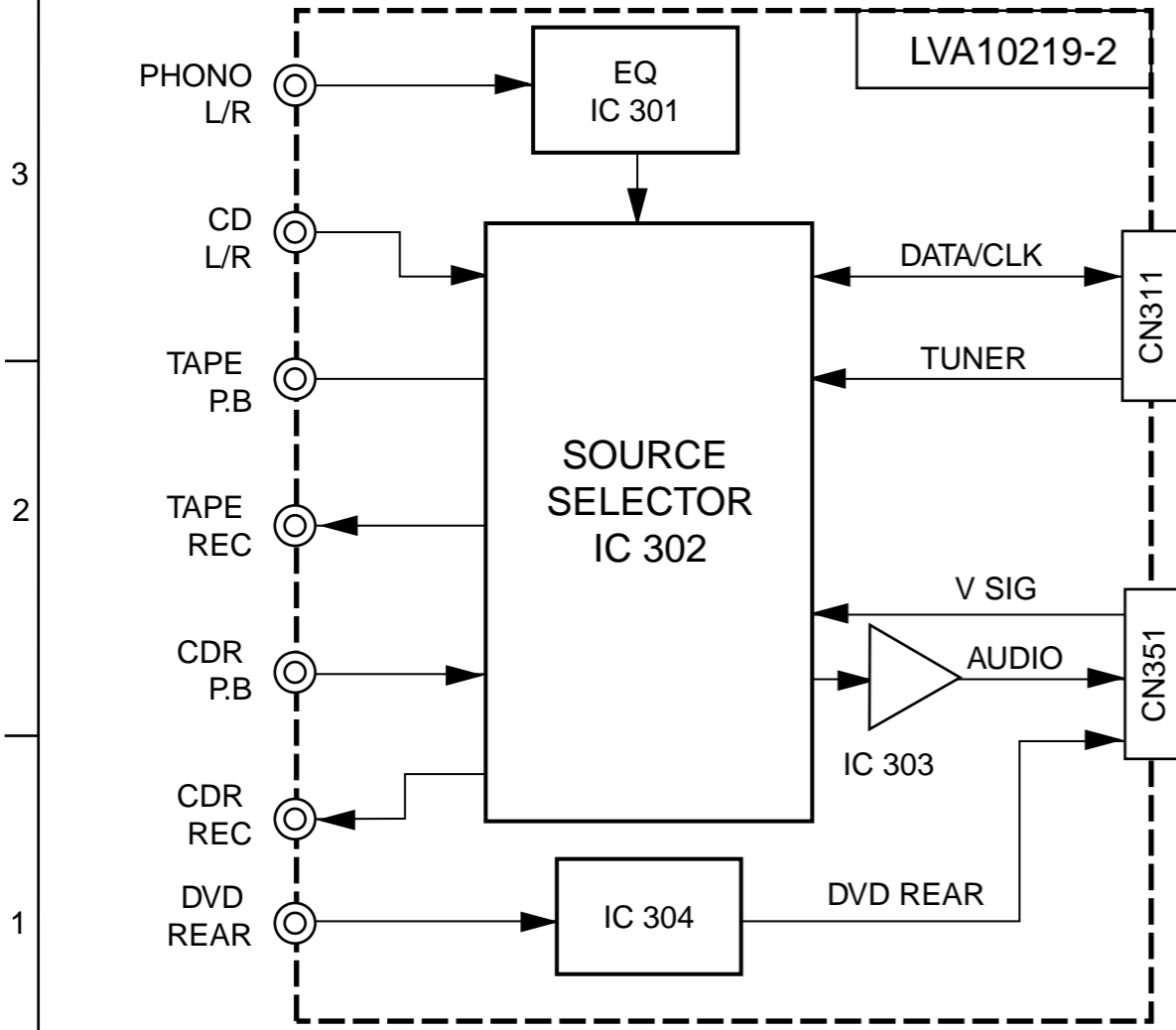
■ Tuner section



■ System control & FL section



■ Audio input section



Standard schematic diagrams

Power supply section

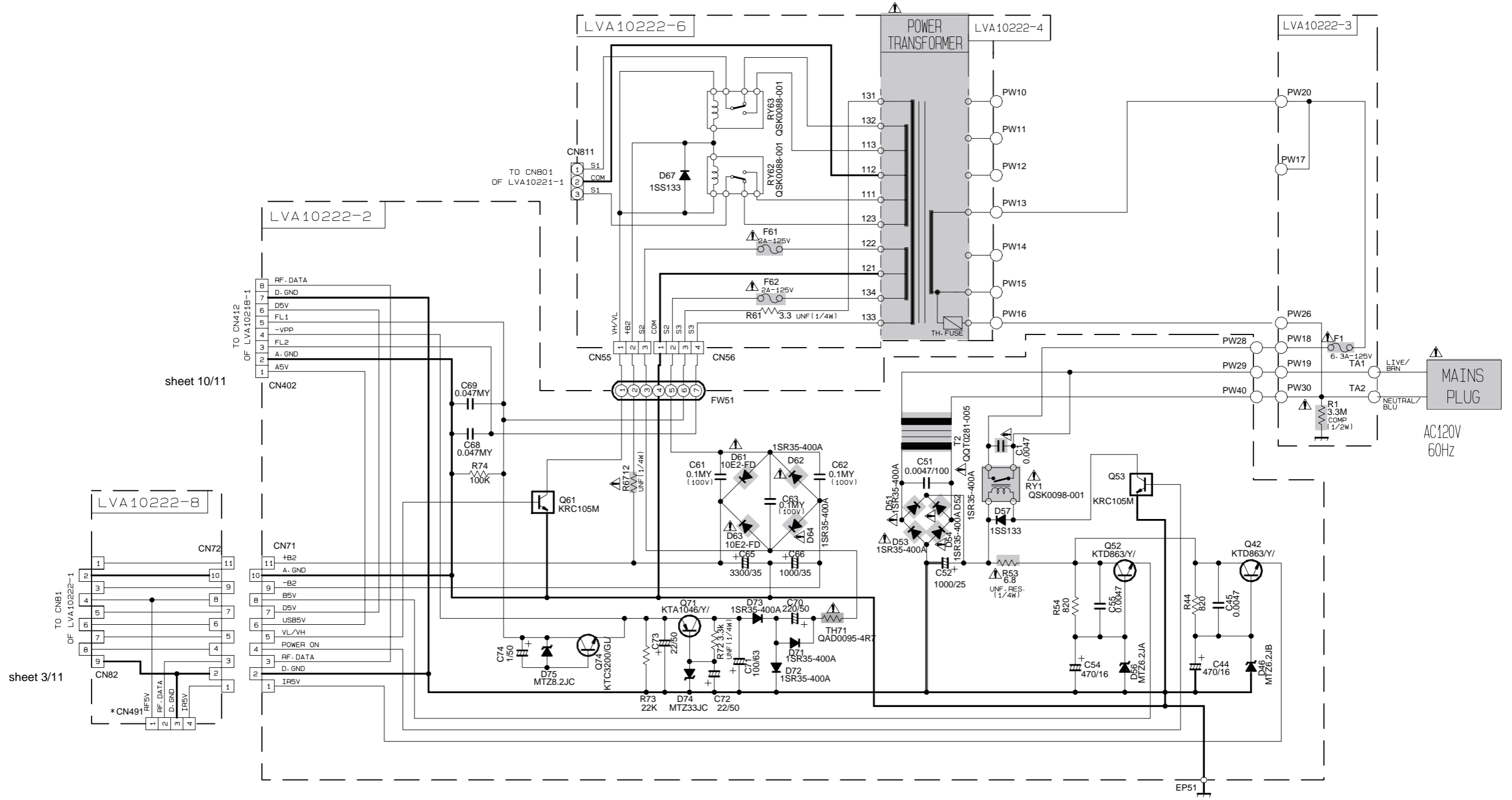
5

4

3

2

1



sheet 10/11

sheet 3/11

AC120V
60HZ

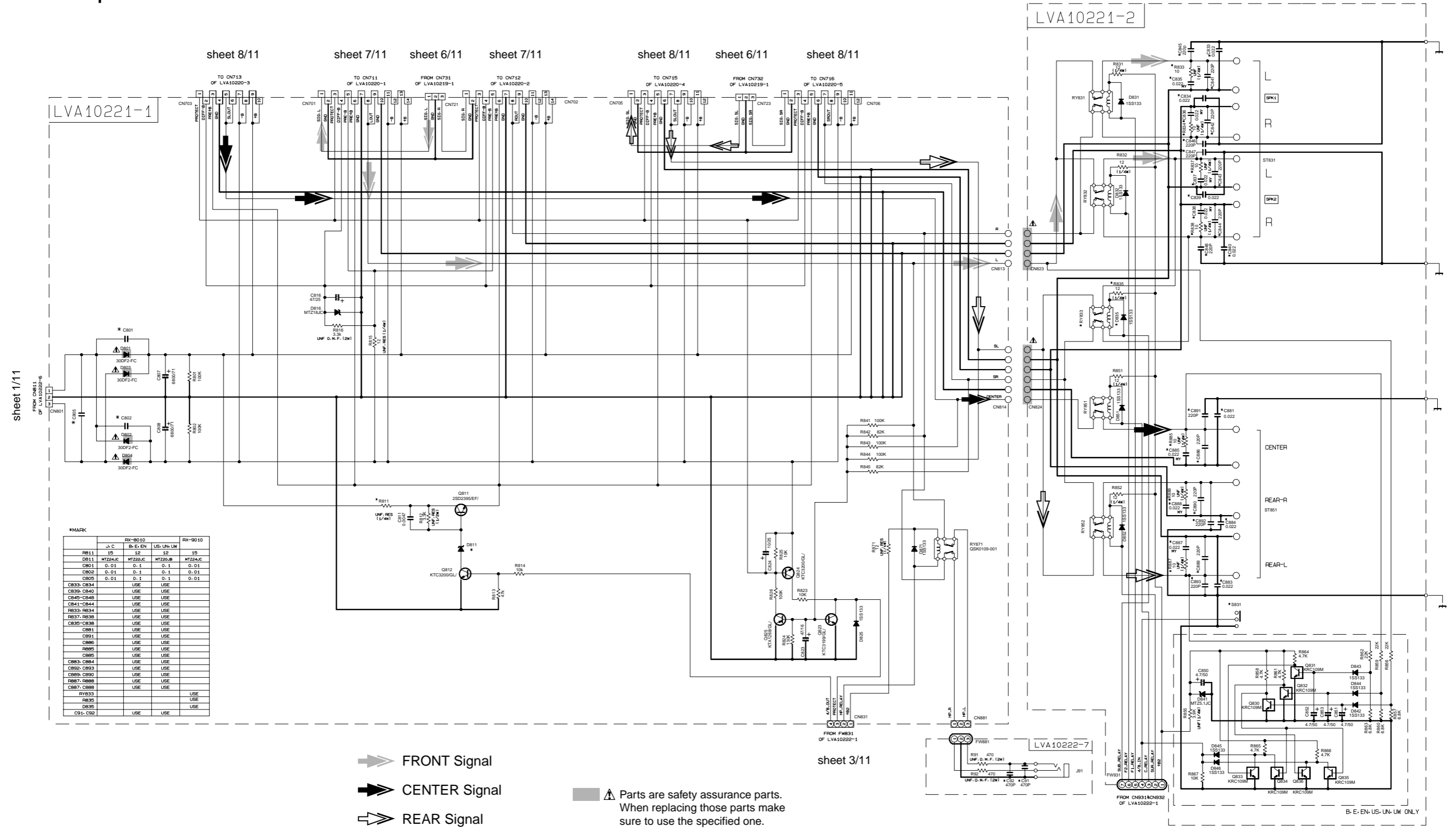
Parts are safety assurance parts.
When replacing those parts make
sure to use the specified one.

SHEET NUMBER	CIRUIT DISCRPTION
1/11	POWER SUPPLY
2/11	MAIN
3/11	AUDIO
4/11	AUDIO SIGNAL INPUT
5/11	VIDEO SIGNAL INPUT
6/11	AUDIO AMP (FRONT CHANNEL)
7/11	AUDIO AMP (CENTER, REAR CHANNEL)
8/11	DSP
9/11	DVD
10/11	SYSTEM CONTROL
11/11	TUNER

A B C 2-4 D E F G H

■ Main & Speaker terminal section

5
4
3
2
1

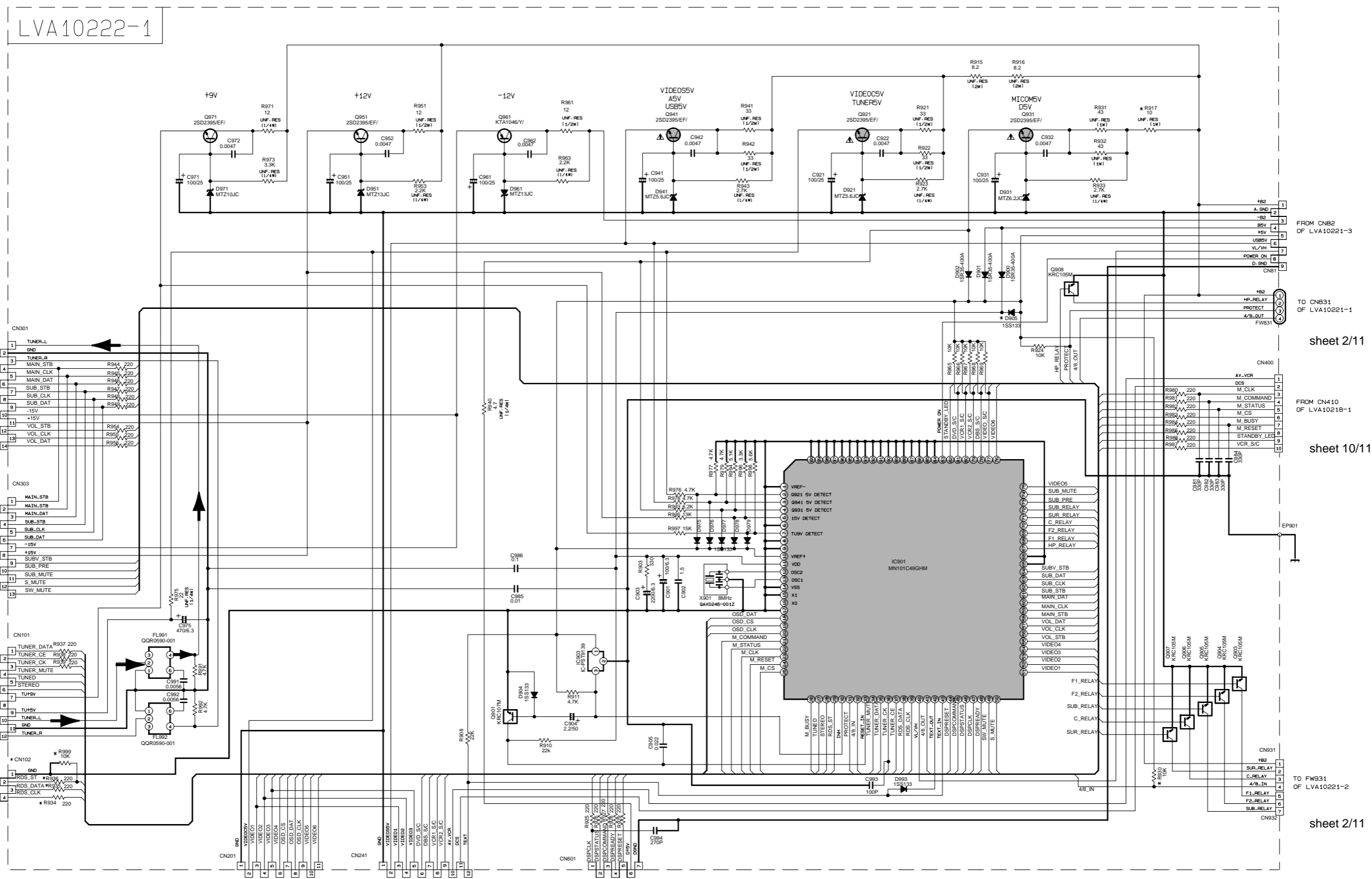


*MARK

	RX-9010		B.E-EN		US-UN-UK		RX-9010	
	J.C	12	12	12	12	12	12	12
RB11	15							15
DB11	MTZ24JC							MTZ24JC
CB01	0.01	0.1	0.1	0.1	0.1	0.1	0.01	
CB02	0.01	0.1	0.1	0.1	0.1	0.1	0.01	
CB05	0.01	0.1	0.1	0.1	0.1	0.1	0.01	
CB33, CB34	USE	USE	USE	USE	USE	USE	USE	
CB39, CB40	USE	USE	USE	USE	USE	USE	USE	
CB43, CB46	USE	USE	USE	USE	USE	USE	USE	
CB41, CB44	USE	USE	USE	USE	USE	USE	USE	
CB33, RB34	USE	USE	USE	USE	USE	USE	USE	
RB37, RB38	USE	USE	USE	USE	USE	USE	USE	
CB35, CB38	USE	USE	USE	USE	USE	USE	USE	
CB81	USE	USE	USE	USE	USE	USE	USE	
CB91	USE	USE	USE	USE	USE	USE	USE	
CB86	USE	USE	USE	USE	USE	USE	USE	
CB85	USE	USE	USE	USE	USE	USE	USE	
CB85	USE	USE	USE	USE	USE	USE	USE	
CB83, CB84	USE	USE	USE	USE	USE	USE	USE	
CB90, CB93	USE	USE	USE	USE	USE	USE	USE	
CB89, CB90	USE	USE	USE	USE	USE	USE	USE	
CB87, CB88	USE	USE	USE	USE	USE	USE	USE	
CB87, CB88	USE	USE	USE	USE	USE	USE	USE	
RYB33								USE
DB35								USE
DB35								USE
CB1, CB2	USE	USE	USE	USE	USE	USE	USE	

- ➡ FRONT Signal
- ➡ CENTER Signal
- ➡ REAR Signal
- ⚠ Parts are safety assurance parts. When replacing those parts make sure to use the specified one.

Audio section



5
4
3
2
1

TO CN311
OF LVA10219-2
sheet 4/11

TO CN313
OF LVA10219-3
sheet 4/11

sheet 11/11

TO CN200
OF LVA10219-4
sheet 5/11

TO CN240
OF LVA10219-5
sheet 5/11

TO CN57
OF LVA10223
sheet 6/11

FROM CNB2
OF LVA10221-3

TO CNB31
OF LVA10221-1
sheet 2/11

FROM CN410
OF LVA10218-1
sheet 10/11

TO FW931
OF LVA10221-2
sheet 2/11

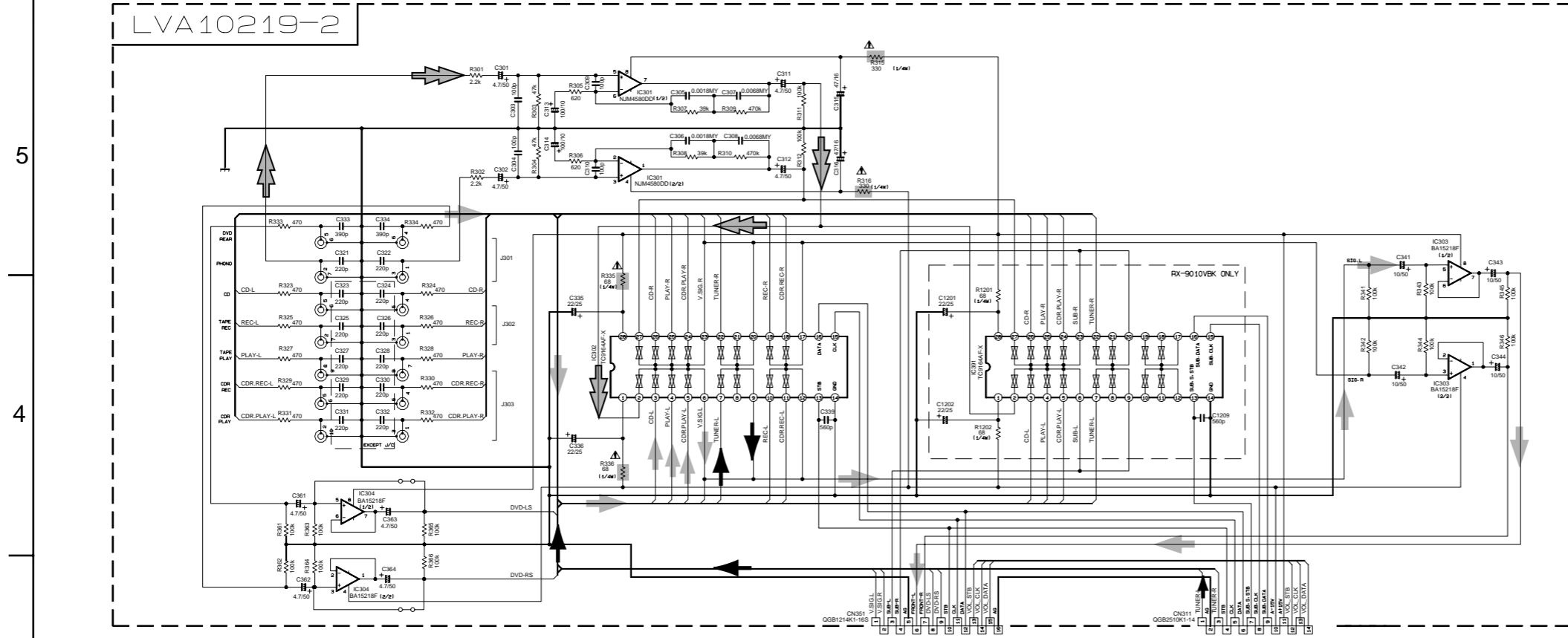
*MARK	RX-8010	B-E-EN	US-UN-UW	RX-9010
D905	J-C			USE
R930	USE			USE
R999	USE		USE	USE
R934	USE			USE
R935	USE			USE
R936	USE			USE
CN102	USE			USE
R917	SHORT	SHORT	USE	SHORT

➔ TUNER Signal

⚠ Parts are safety assurance parts.
When replacing those parts make
sure to use the specified one.

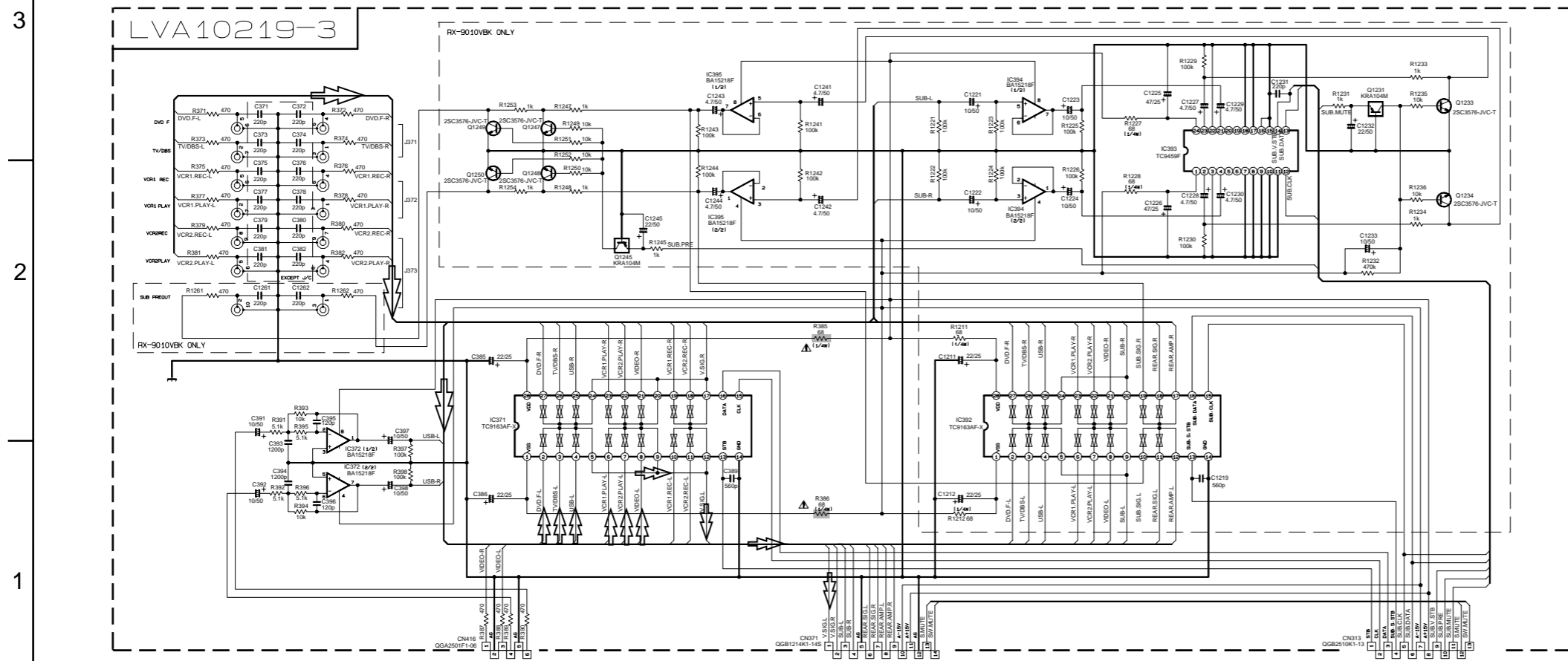
A B C 2-6 D E F G H

Audio / V Audio signal input section



sheet 6/11

sheet 3/11



sheet 10/11

sheet 6/11

sheet 2/11

- AUDIO Signal
- TUNER Signal
- PHONO Signal
- VIDEO AUDIO Signal

Parts are safety assurance parts. When replacing those parts make sure to use the specified one.

Video / S video signal input section

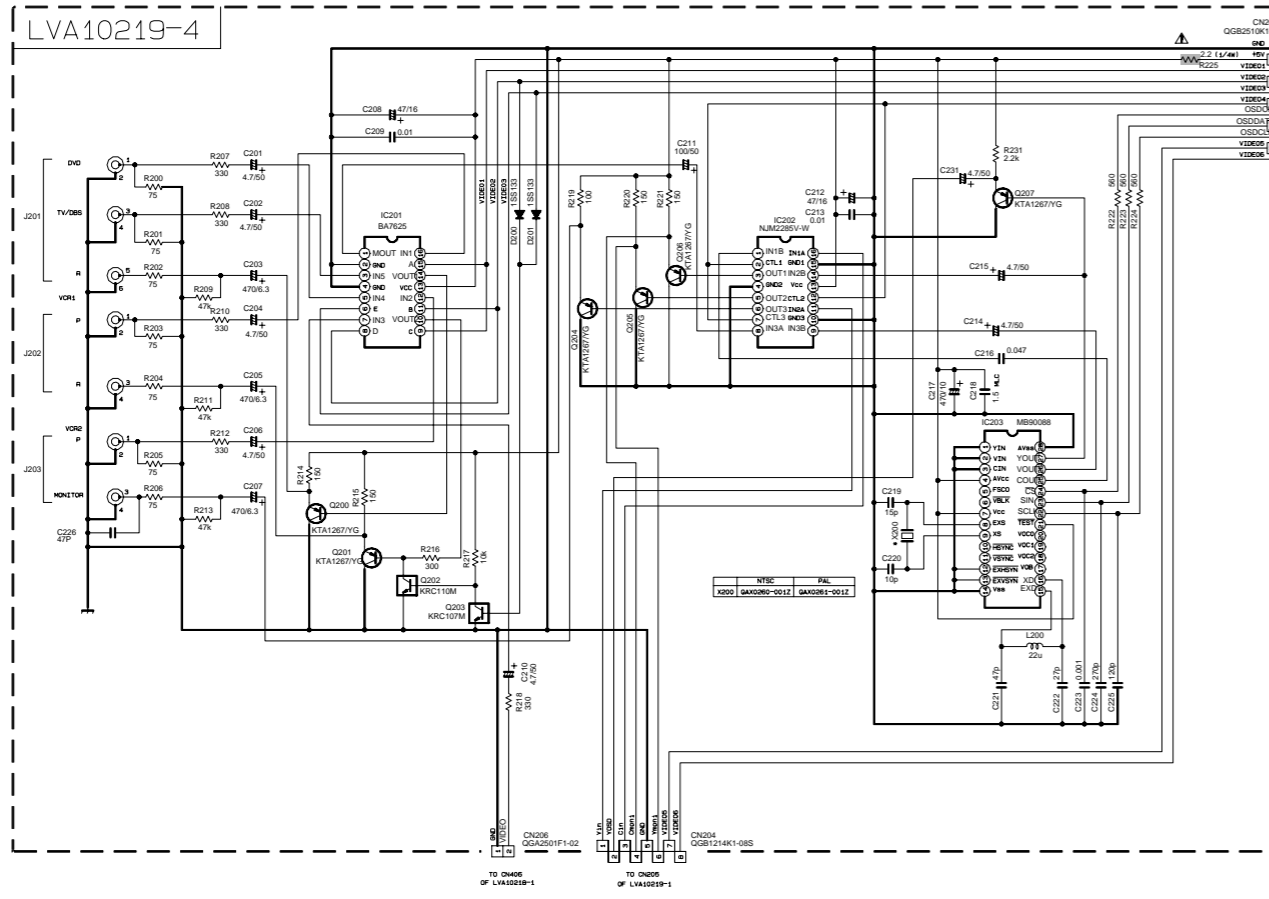
5

4

3

2

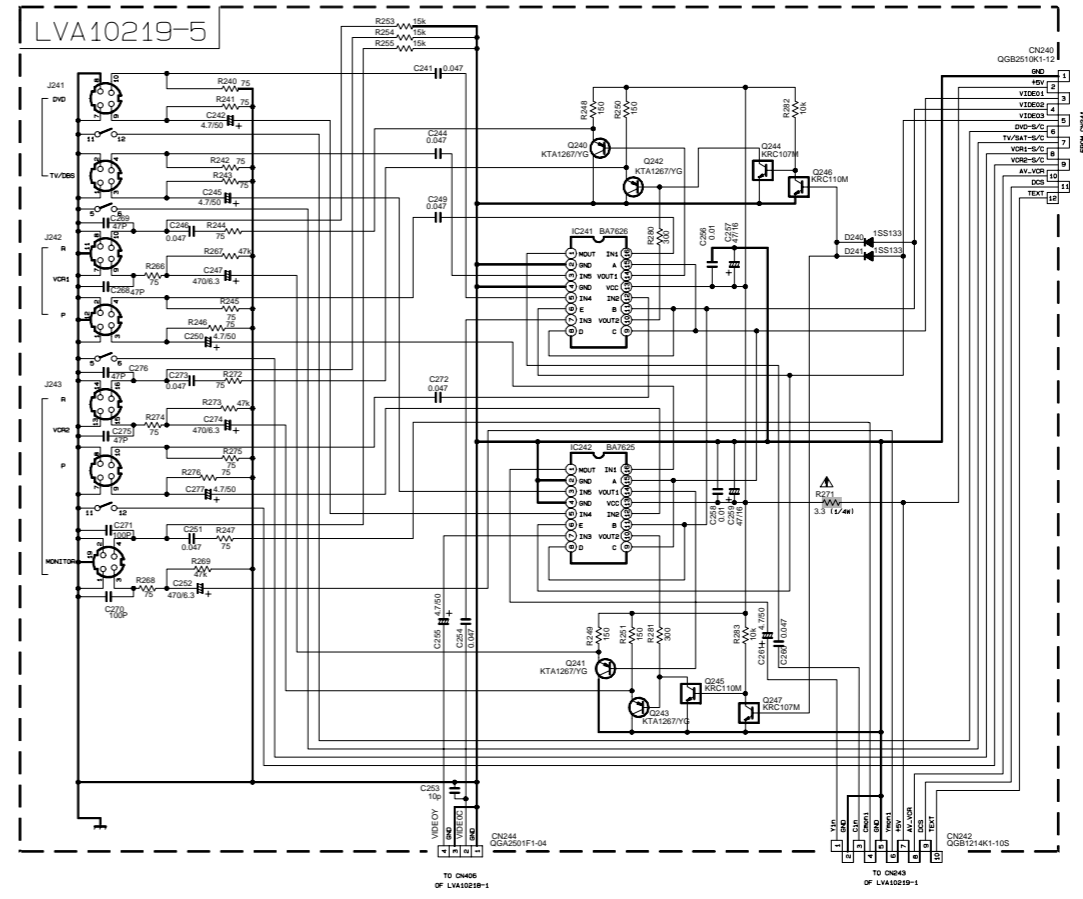
1



sheet 10/11

sheet 6/11

sheet 3/11



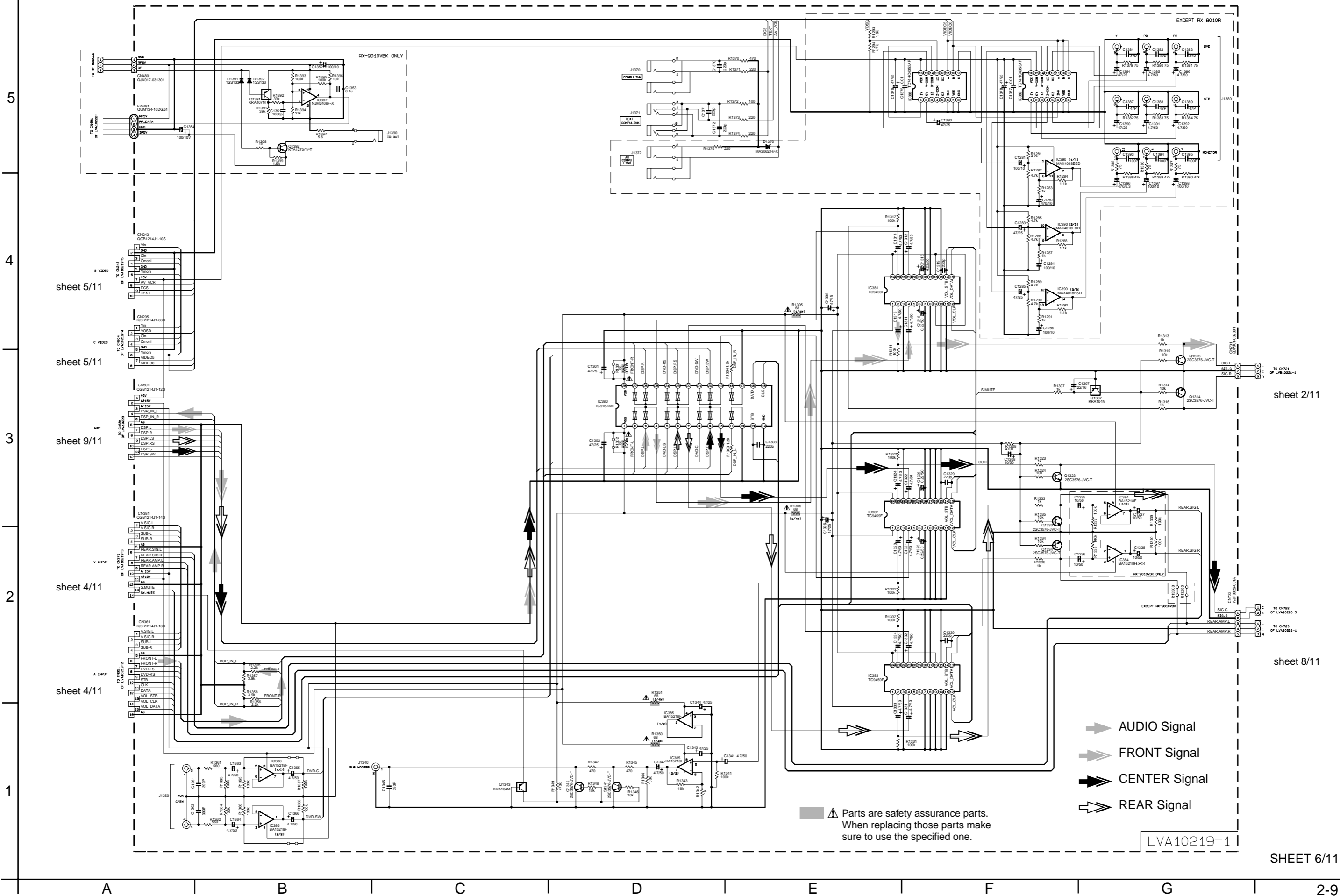
sheet 10/11

sheet 6/11

sheet 3/11

⚠ Parts are safety assurance parts. When replacing those parts make sure to use the specified one.

DVD section



5

4

3

2

1

sheet 5/11

sheet 5/11

sheet 9/11

sheet 4/11

sheet 4/11

sheet 2/11

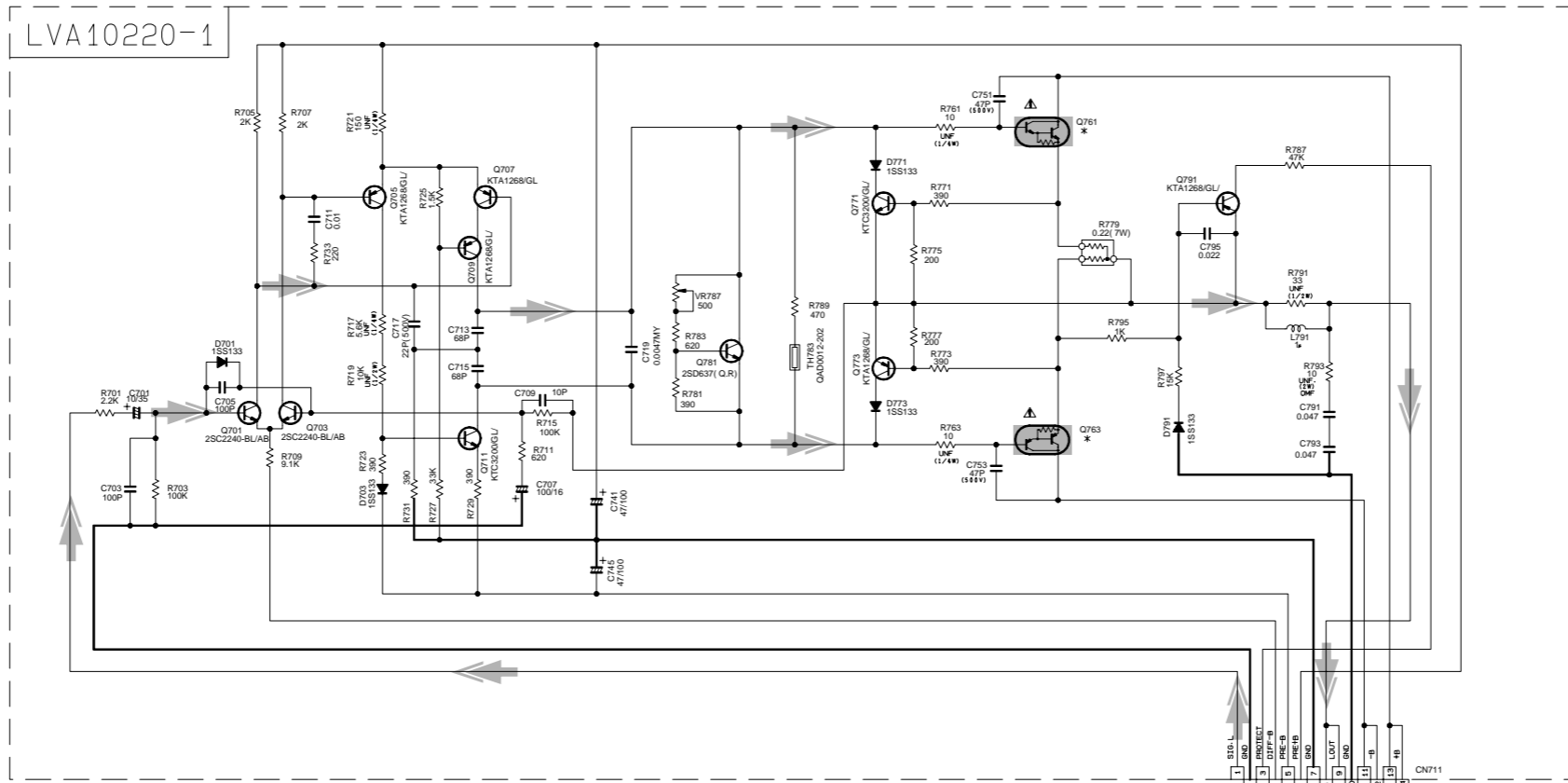
sheet 8/11

- ➔ AUDIO Signal
- ➔ FRONT Signal
- ➔ CENTER Signal
- ➔ REAR Signal

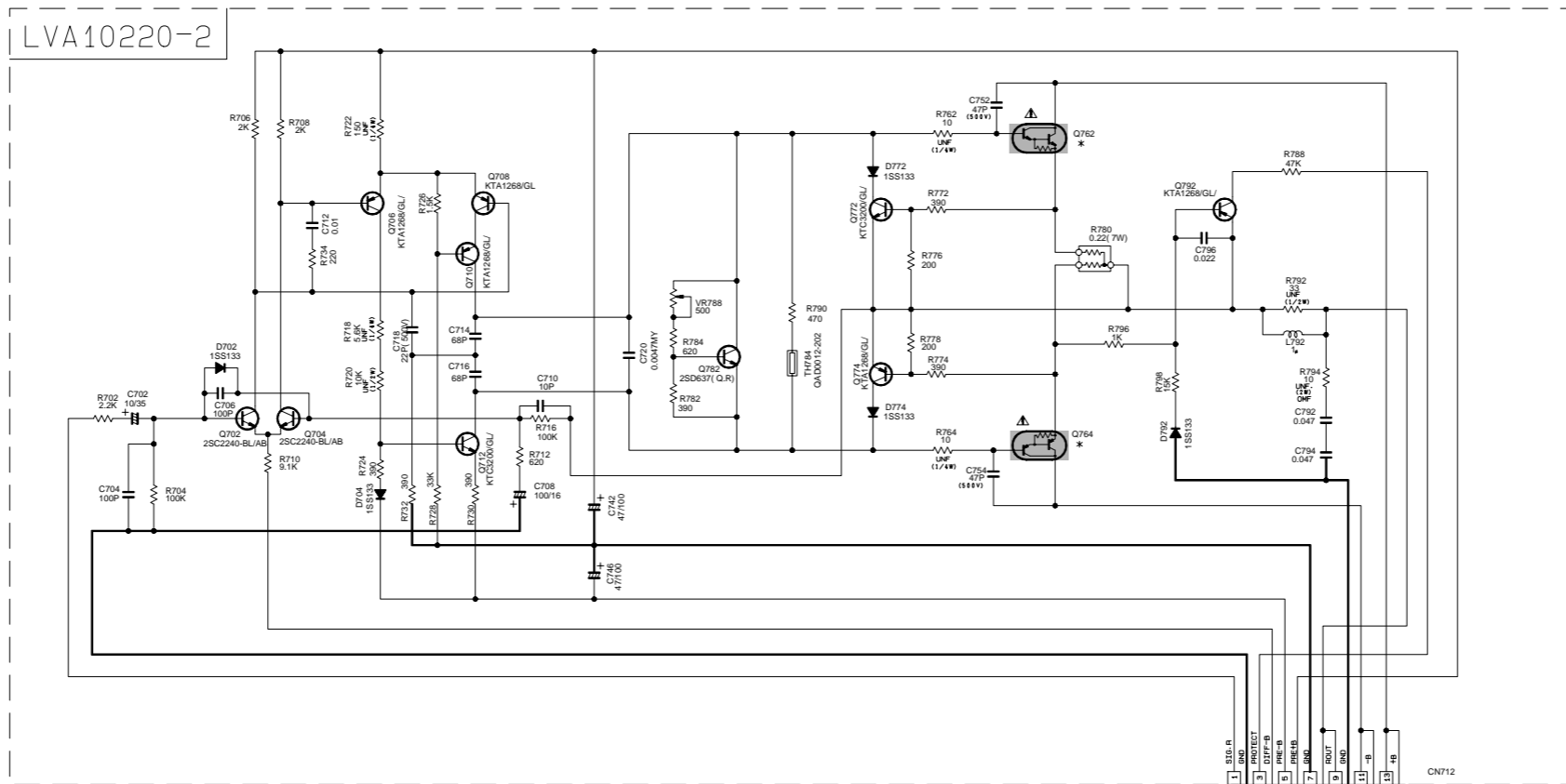
⚠ Parts are safety assurance parts.
When replacing those parts make
sure to use the specified one.

LVA10219-1

Audio amplifier section (1/2)



sheet 2/11



sheet 2/11

*MARK

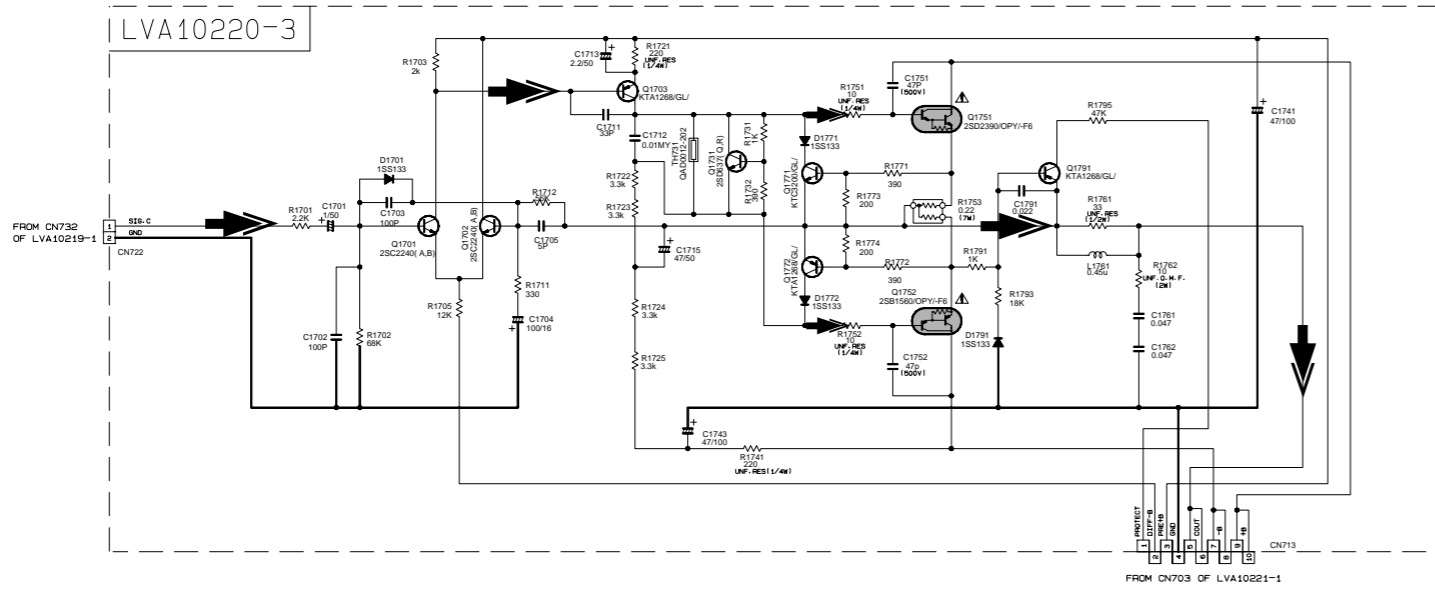
	RX-8010		RX-9010
	B. E. EN. US. UN. UM	J. C	
Q761, Q762	2SD2390/OPY/-F6	2SD2560/OPY/-F6	2SD2560/OPY/-F6
Q763, Q764	2SB1560/OPY/-F6	2SB1647/OPY/-F6	2SB1647/OPY/-F6

➔ FRONT Signal

⚠ Parts are safety assurance parts. When replacing those parts make sure to use the specified one.

■ Audio amplifier section (2/2)

5

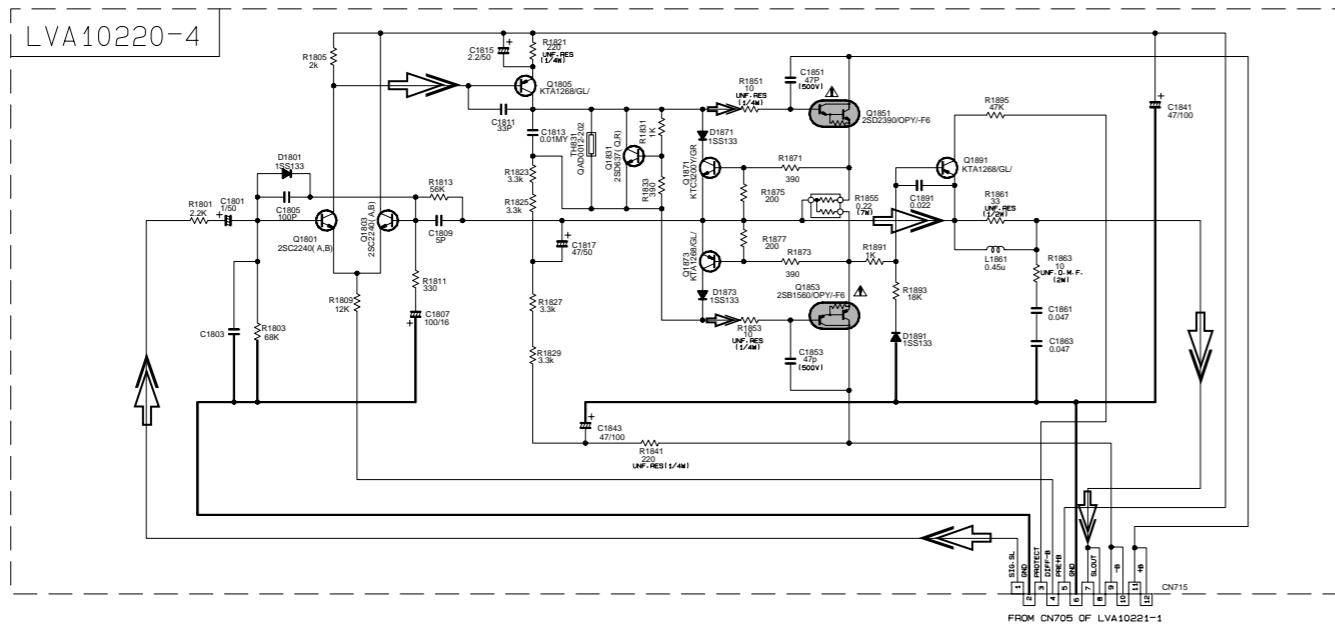


sheet 2/11

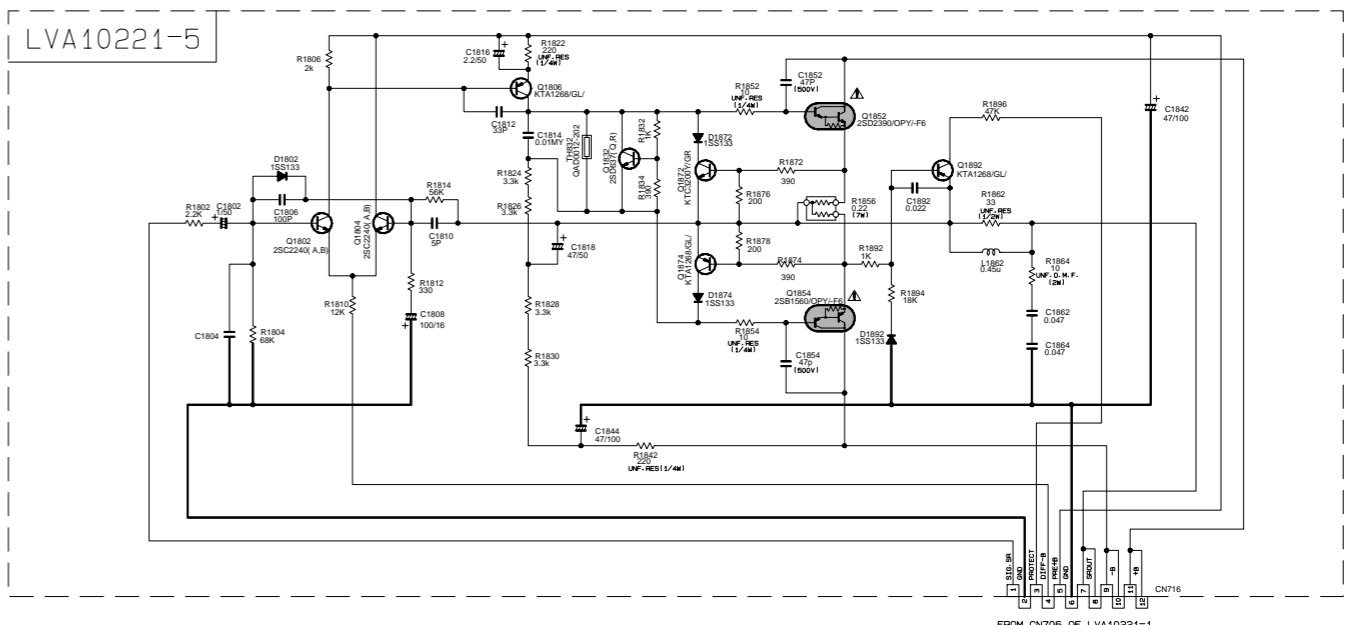
- ➡ CENTER Signal
- ➡ REAR Signal
- ⚠ Parts are safety assurance parts. When replacing those parts make sure to use the specified one.

4

3



sheet 2/11



sheet 2/11

1

DSP section

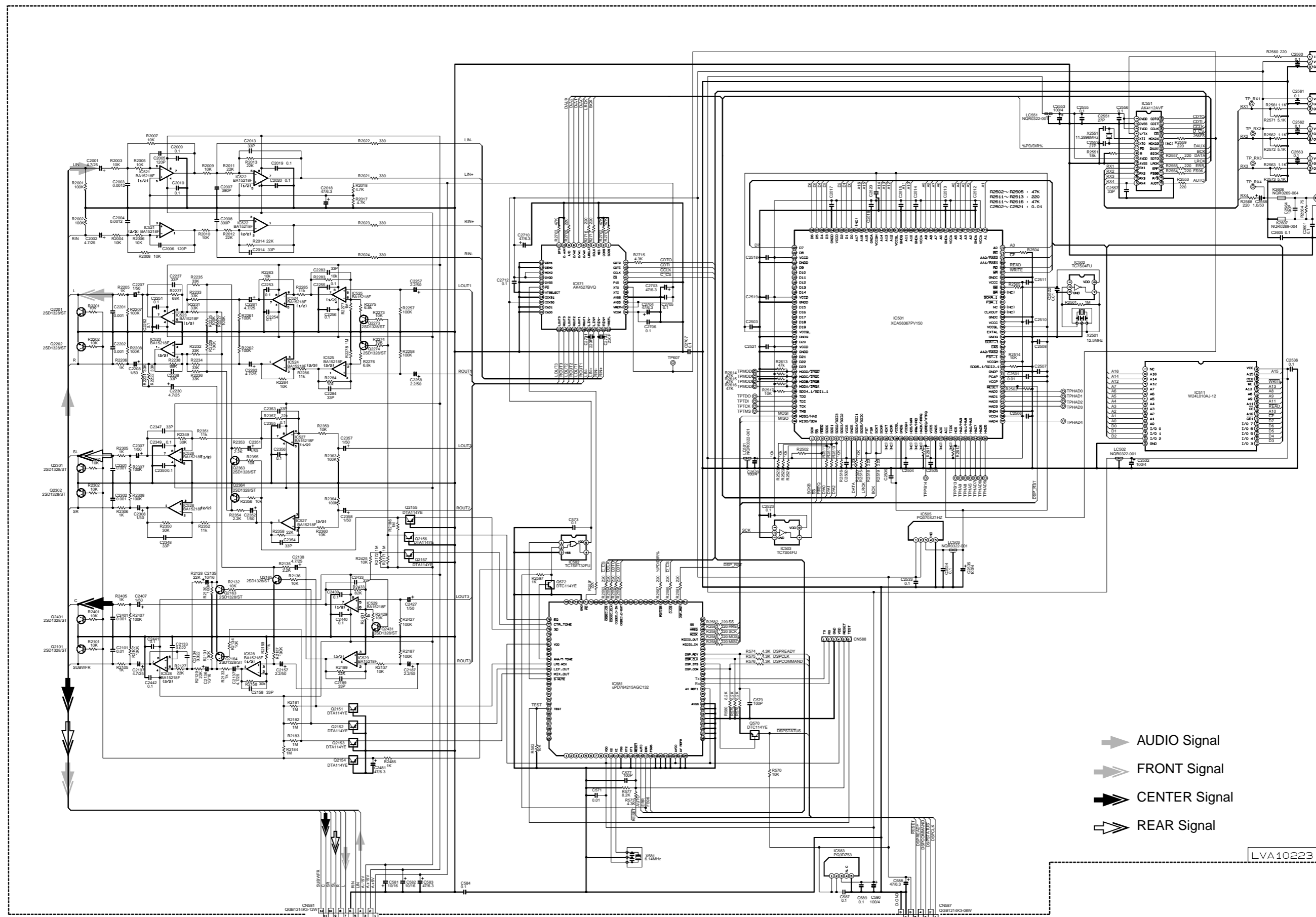
5

4

3

2

1



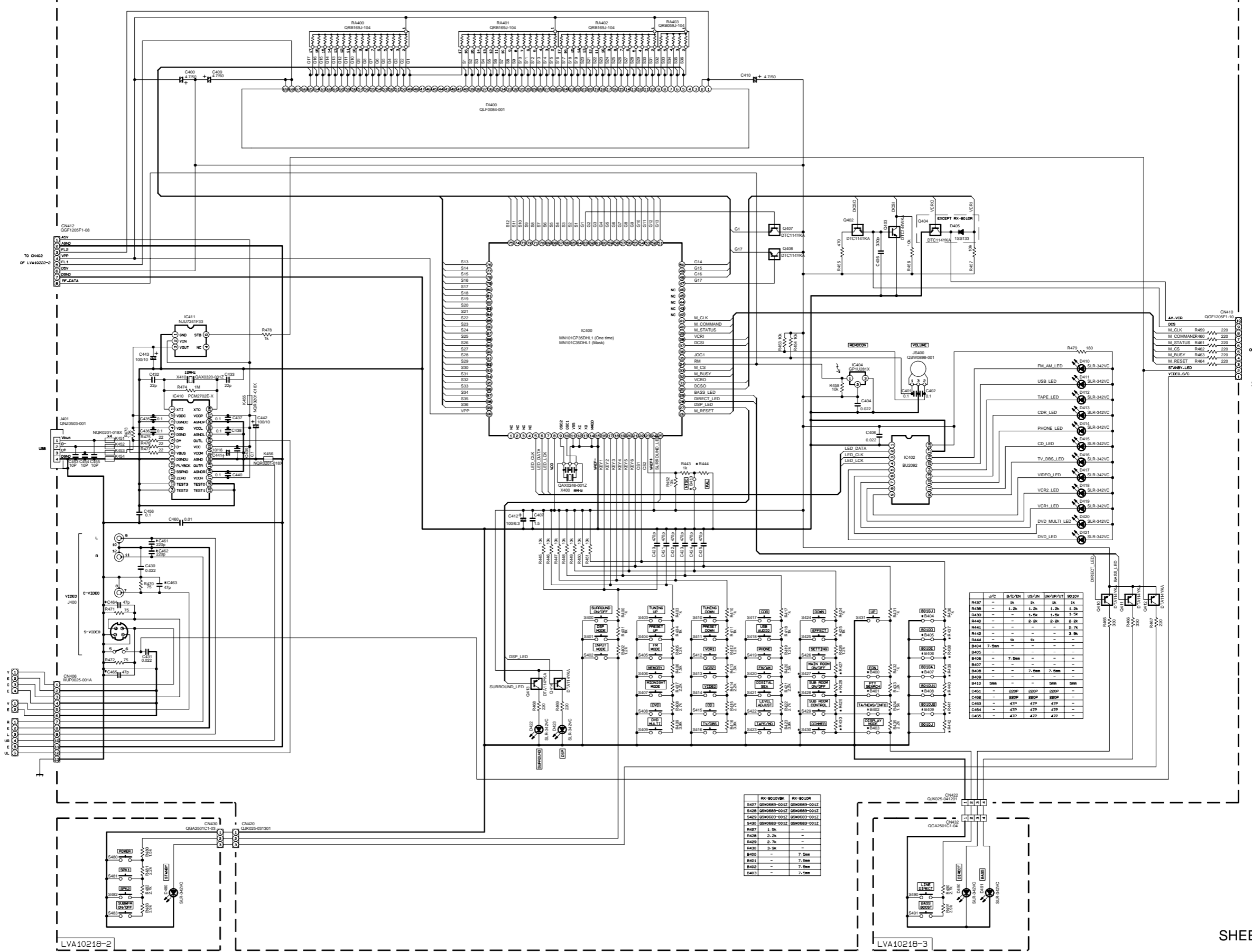
- ➔ AUDIO Signal
- ➔ FRONT Signal
- ➔ CENTER Signal
- ➔ REAR Signal

LVA 10223

A B C 2-12 D E F G H

System control & FL display section

LVA10218-1



sheet 5/11 TO CN44 OF LVA10219-5
 sheet 5/11 TO CN06 OF LVA10219-4
 sheet 4/11 TO CN49 OF LVA10219-3

J/C	B/E/EN	US/LN	UN/AP/AT	50/10V
R437	-	1k	1k	1k
R438	-	1.2k	1.2k	1.2k
R439	-	1.5k	1.5k	1.5k
R440	-	2.2k	2.2k	2.2k
R441	-	-	-	3.7k
R442	-	-	-	3.9k
R443	7.5m	-	-	-
R444	-	1k	1k	-
R445	-	-	-	-
R446	7.5m	-	-	-
R447	-	-	-	-
R448	-	-	-	-
R449	-	-	-	-
R450	-	-	-	-
R451	5m	-	5m	5m
R452	-	200p	200p	200p
R453	-	200p	200p	200p
R454	-	47p	47p	47p
R455	-	47p	47p	47p
R456	-	47p	47p	47p

RX-8010VBK	RX-8010R
S427	200p
S428	200p
S429	200p
S430	200p
S431	200p
S432	200p
S433	200p
S434	200p
S435	200p
S436	200p
S437	200p
S438	200p
S439	200p
S440	200p
S441	200p
S442	200p
S443	200p
S444	200p
S445	200p
S446	200p
S447	200p
S448	200p
S449	200p
S450	200p

sheet 2/11

5

4

3

2

1

A

B

C

D

E

F

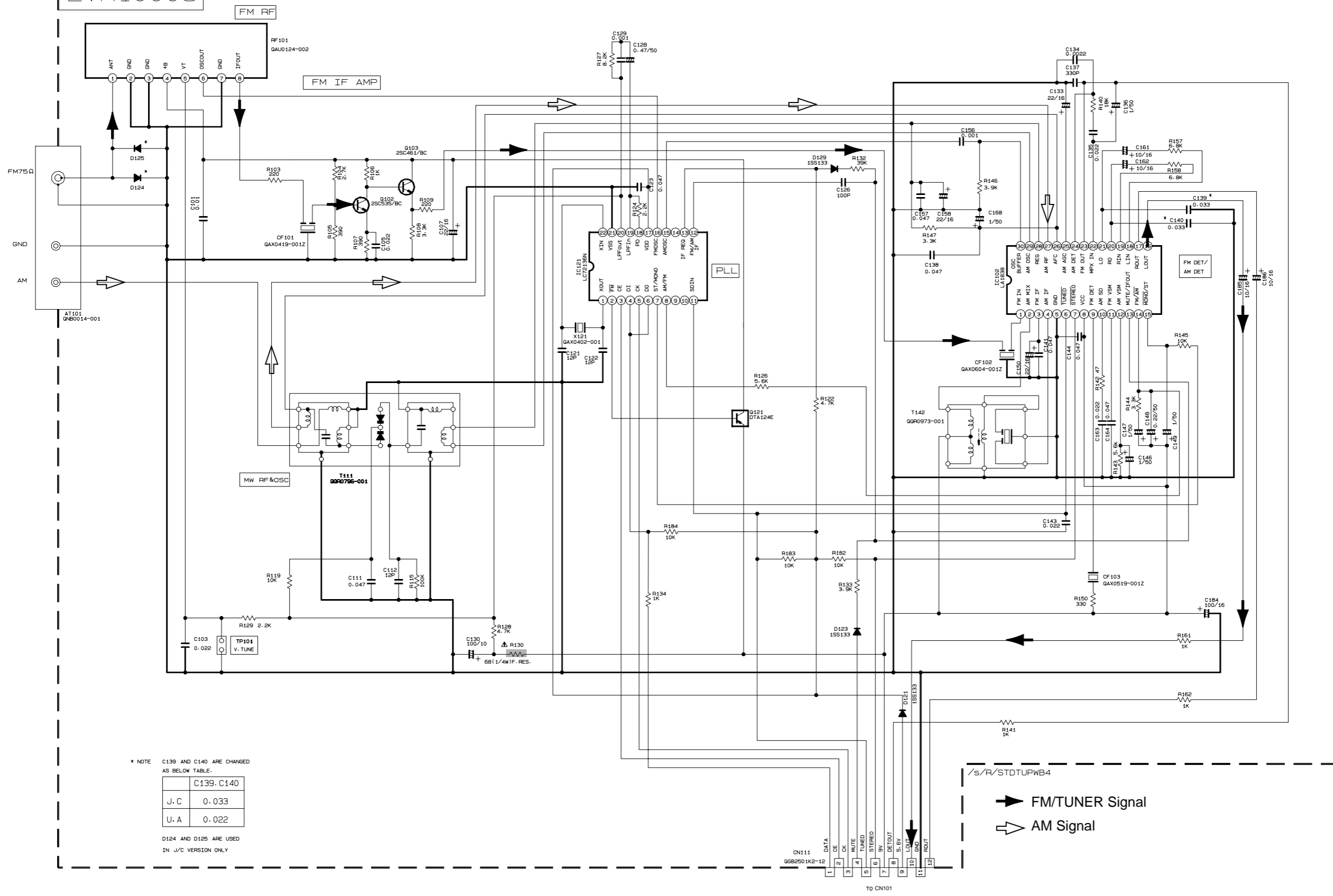
G

■ Tuner section

FOR J, C, U, A

LVA10009

5
4
3
2
1



* NOTE C139 AND C140 ARE CHANGED AS BELOW TABLE.

	C139: C140
J. C	0.033
U. A	0.022

D124 AND D125 ARE USED IN J/C VERSION ONLY

/s/R/STDUPWB4

➔ FM/TUNER Signal
➤ AM Signal

TO CN101
CN111 0682501K2-12

A B C 2-14 D E F G H

Printed circuit boards

■ Main board

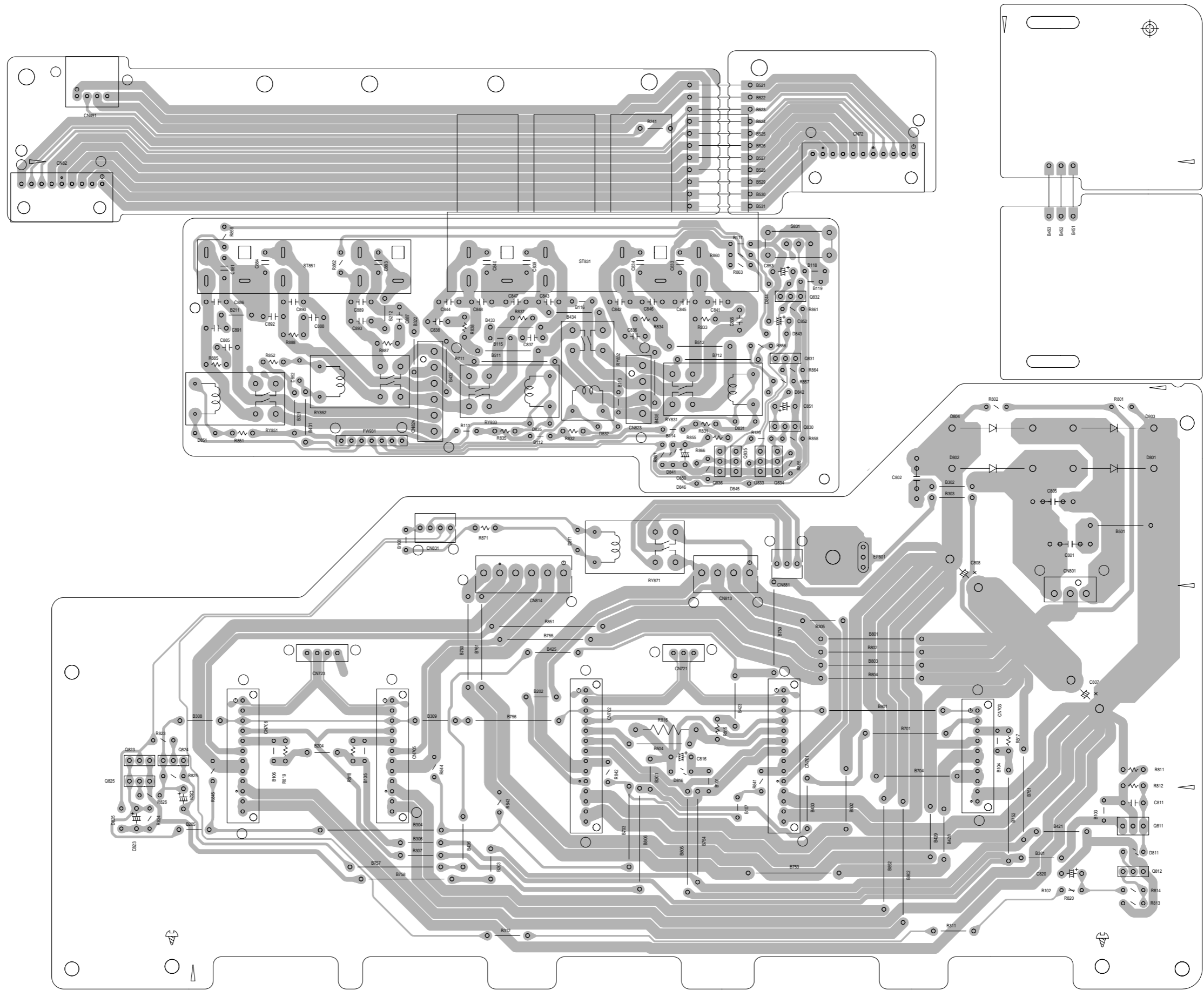
5

4

3

2

1



A

B

C

D

E

F

G

■ Micon board

5

4

3

2

1

A

B

C

2-16

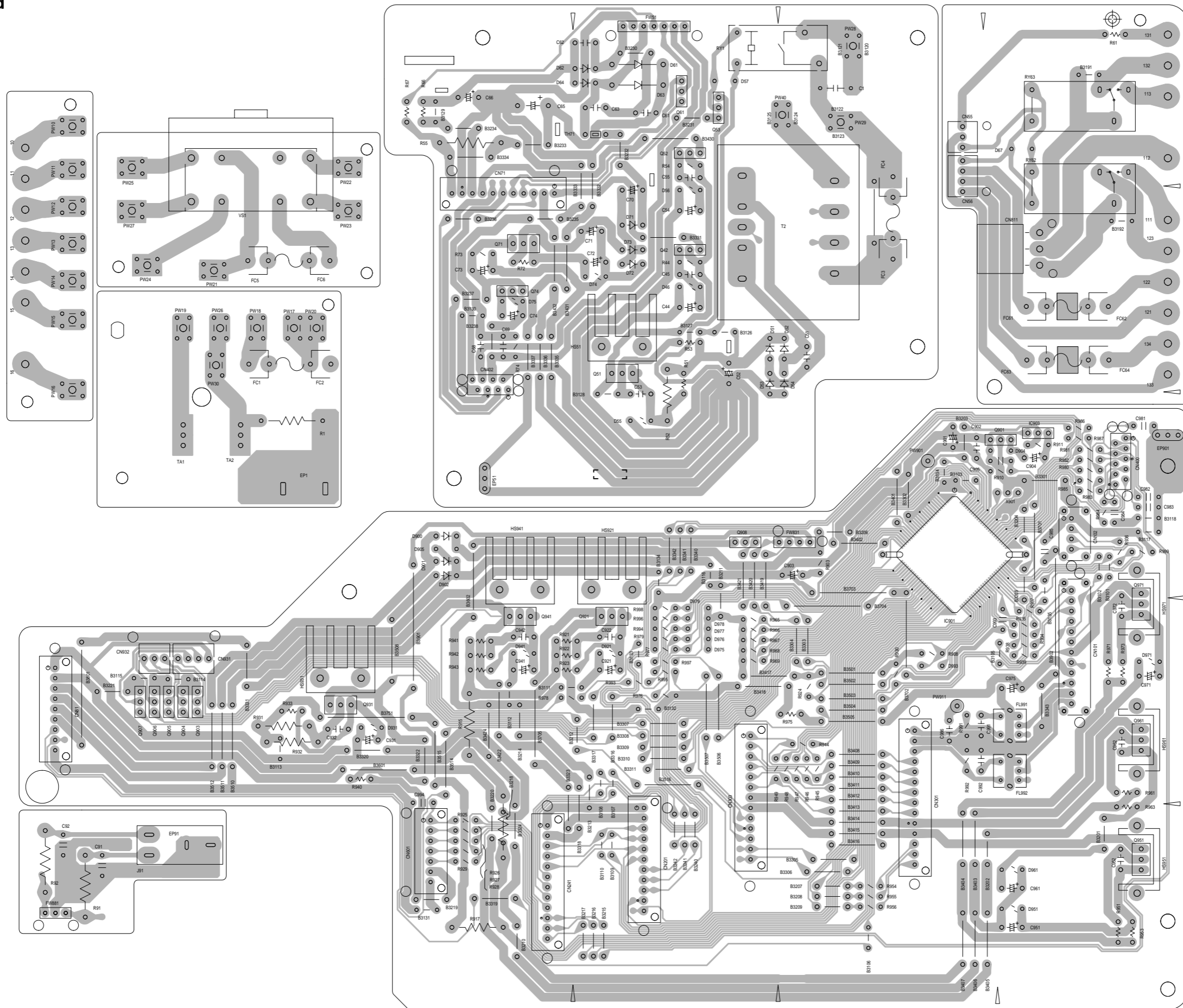
D

E

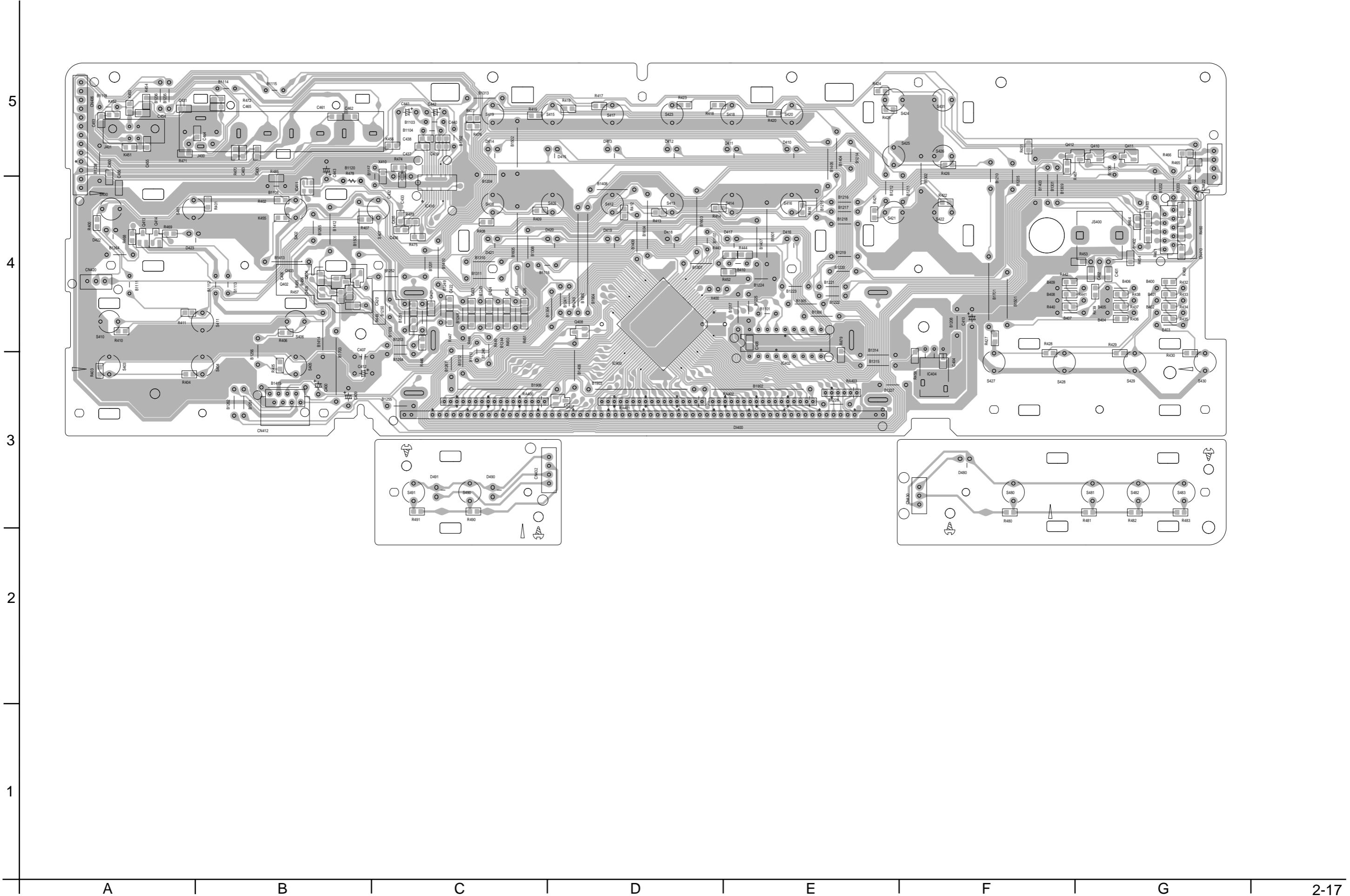
F

G

H



■ Front board



Input board (Reverse side)

5

4

3

2

1

A

B

C

2-18

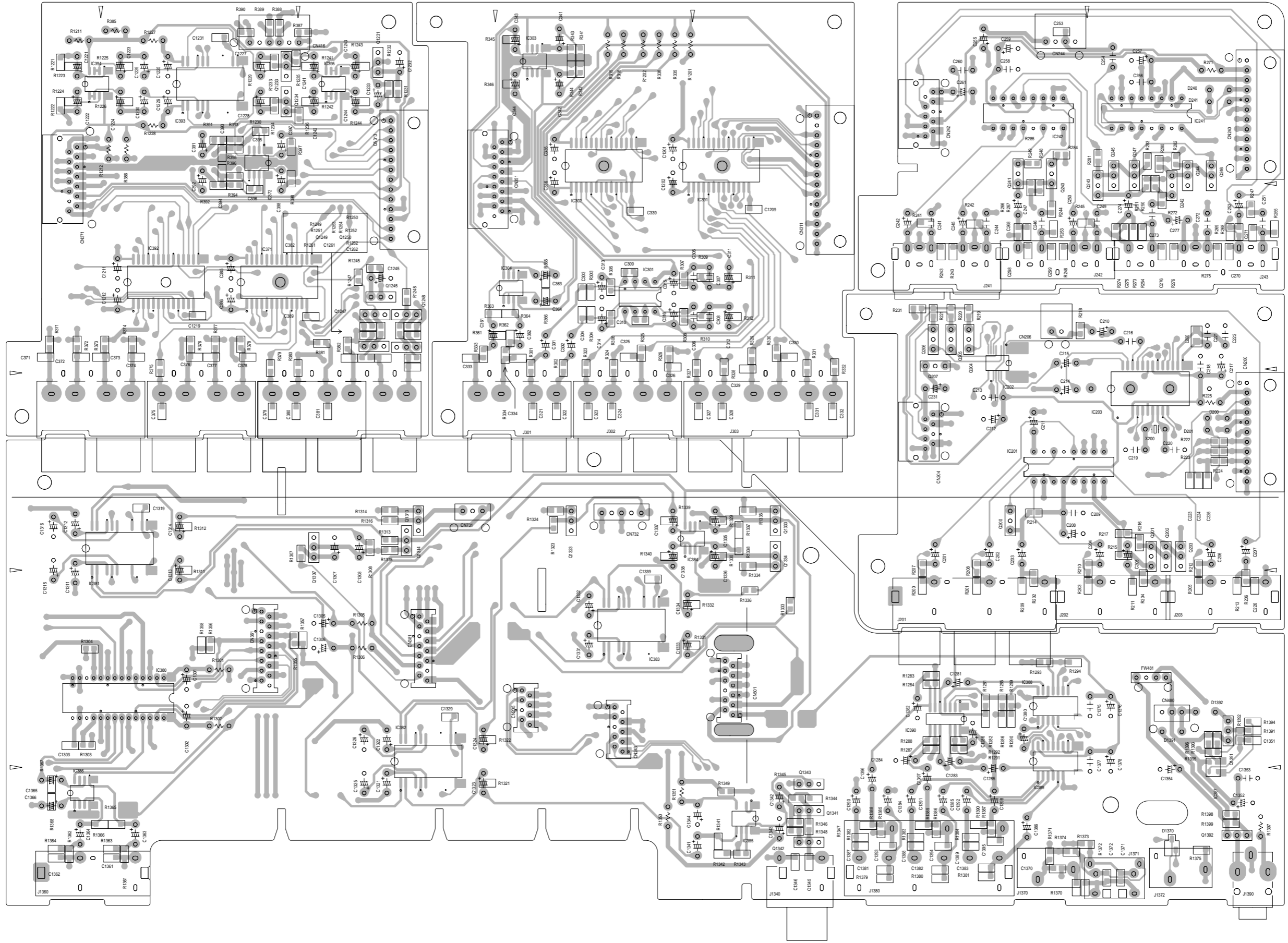
D

E

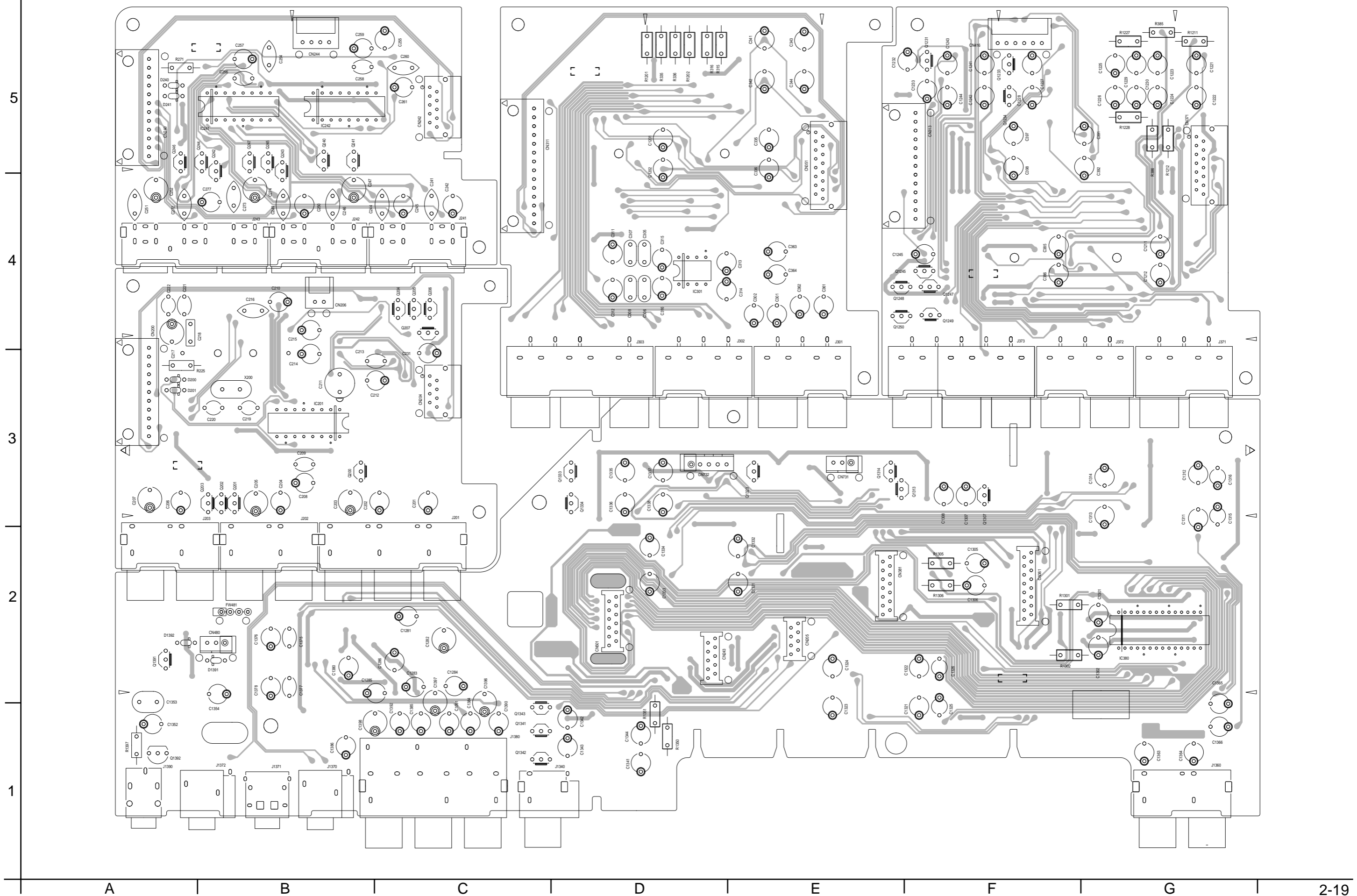
F

G

H



■ Input board (Forward side)



■ Power board

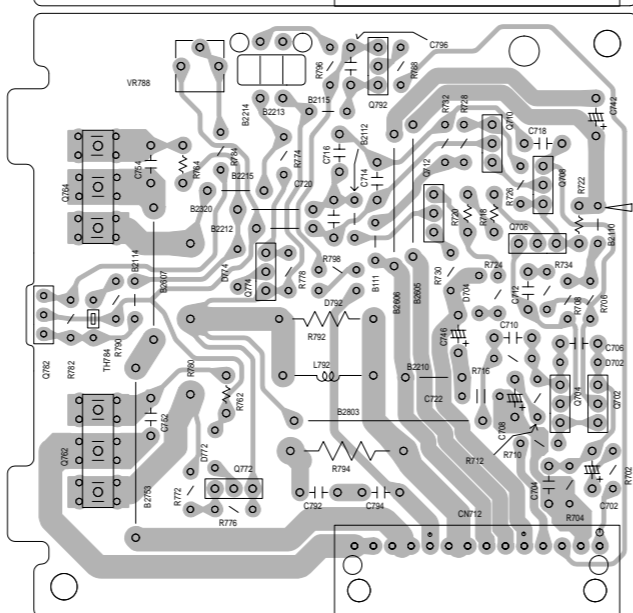
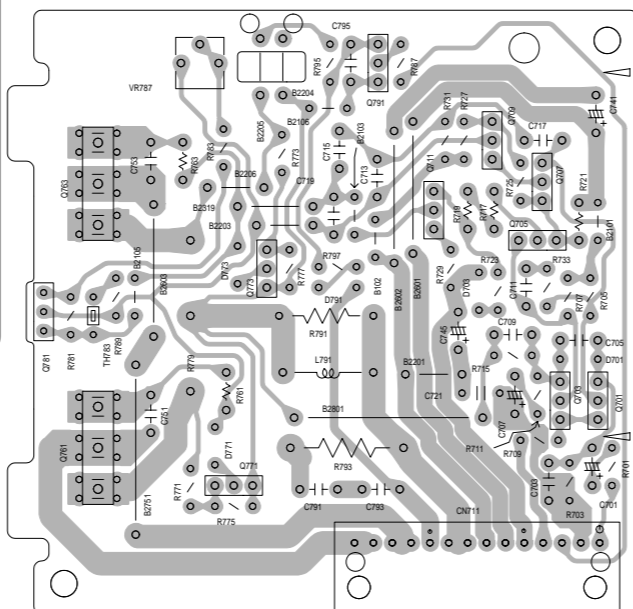
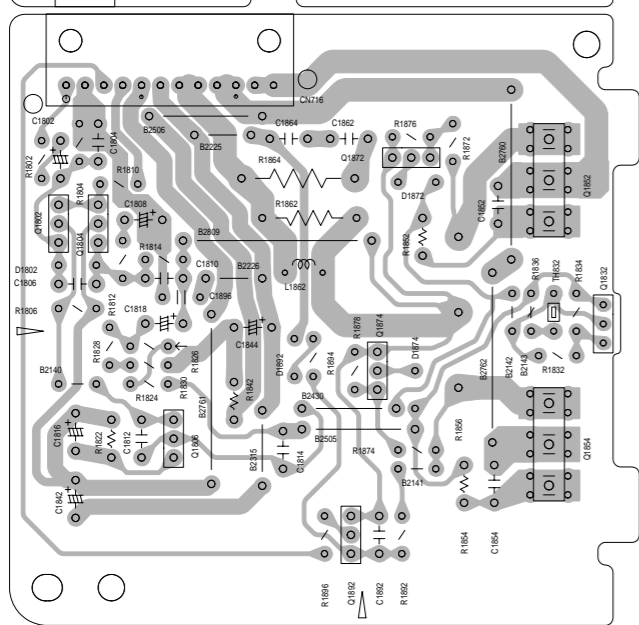
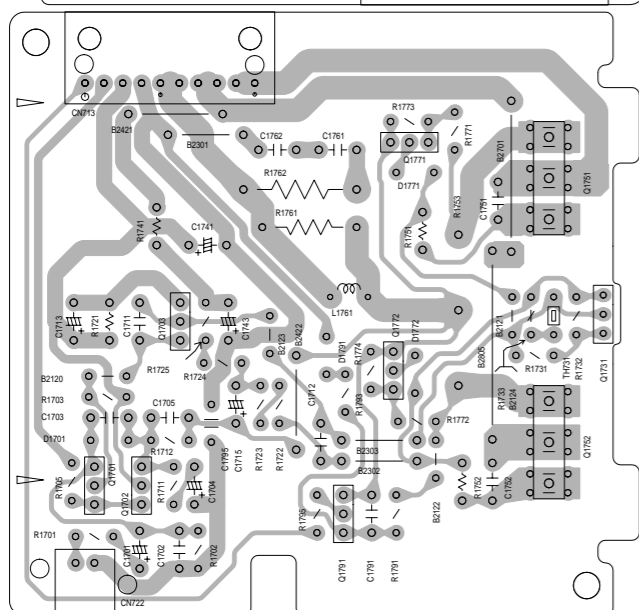
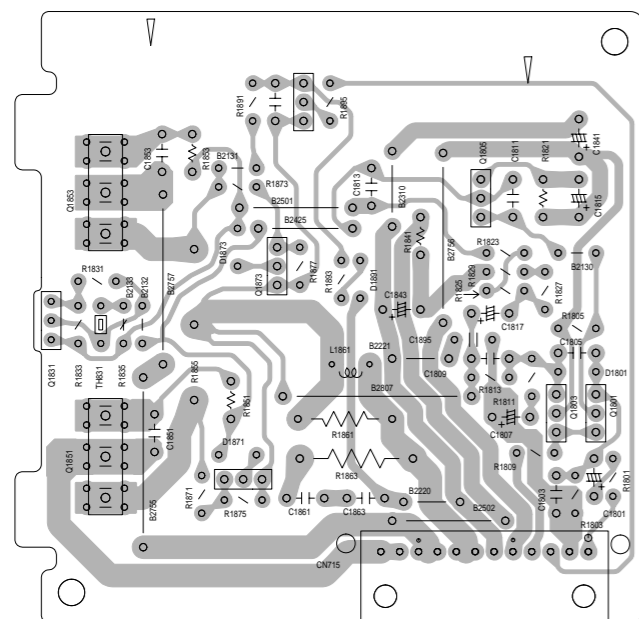
5

4

3

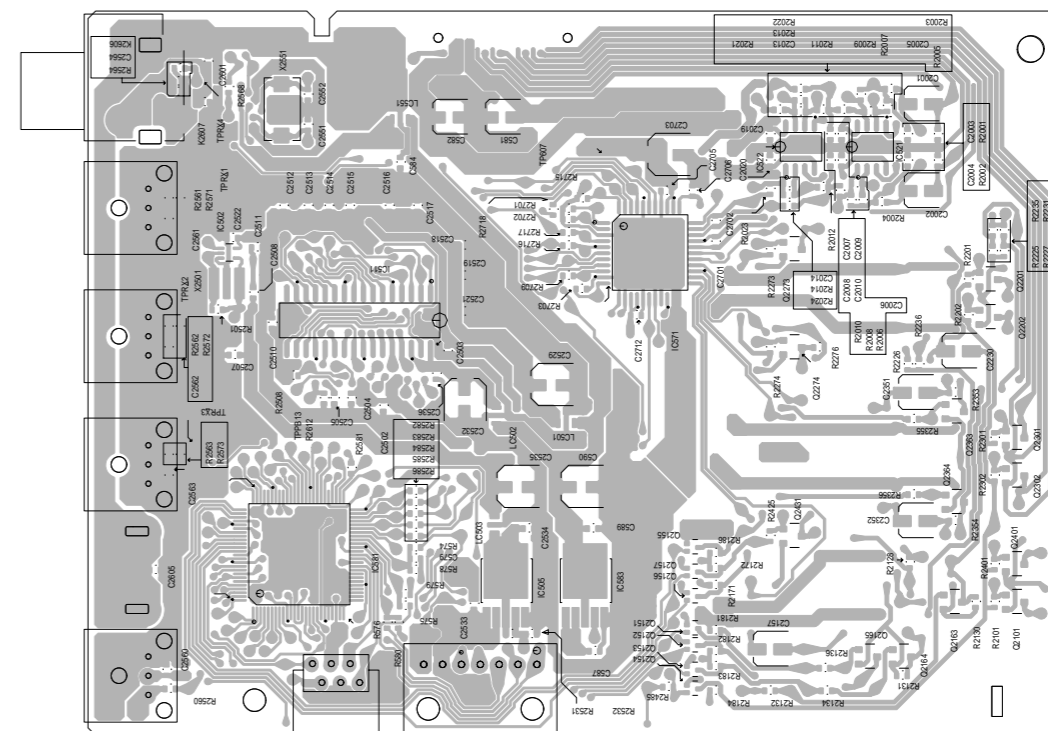
2

1

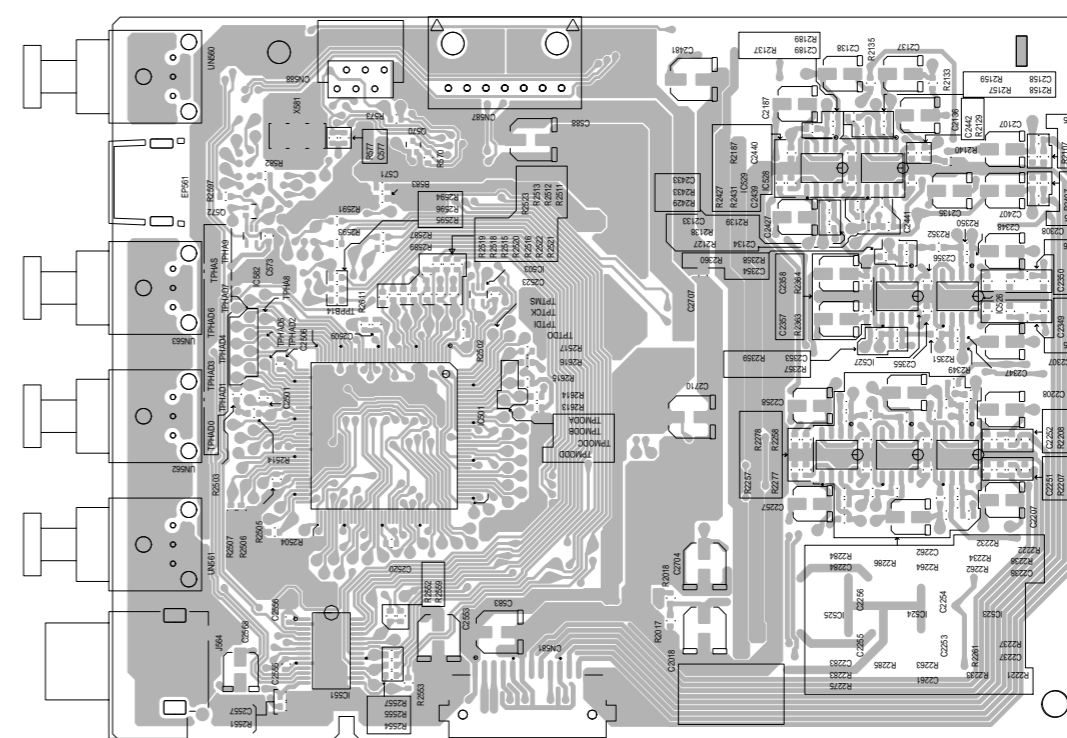


■ DSP board

Reverse side



Forward side



A

B

C

2-20

D

E

F

G

H

■ Tuner board

5
4
3
2
1

